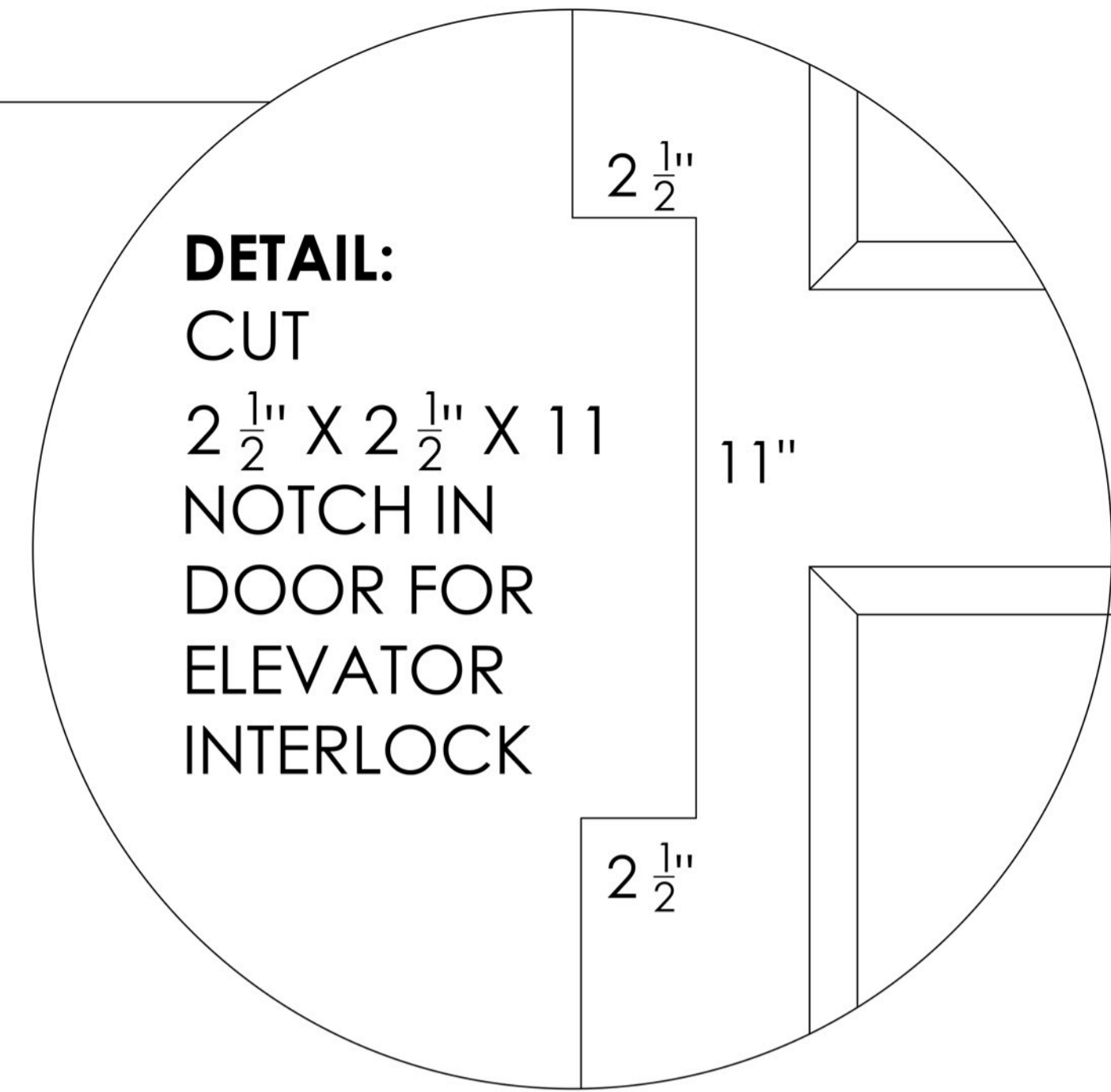
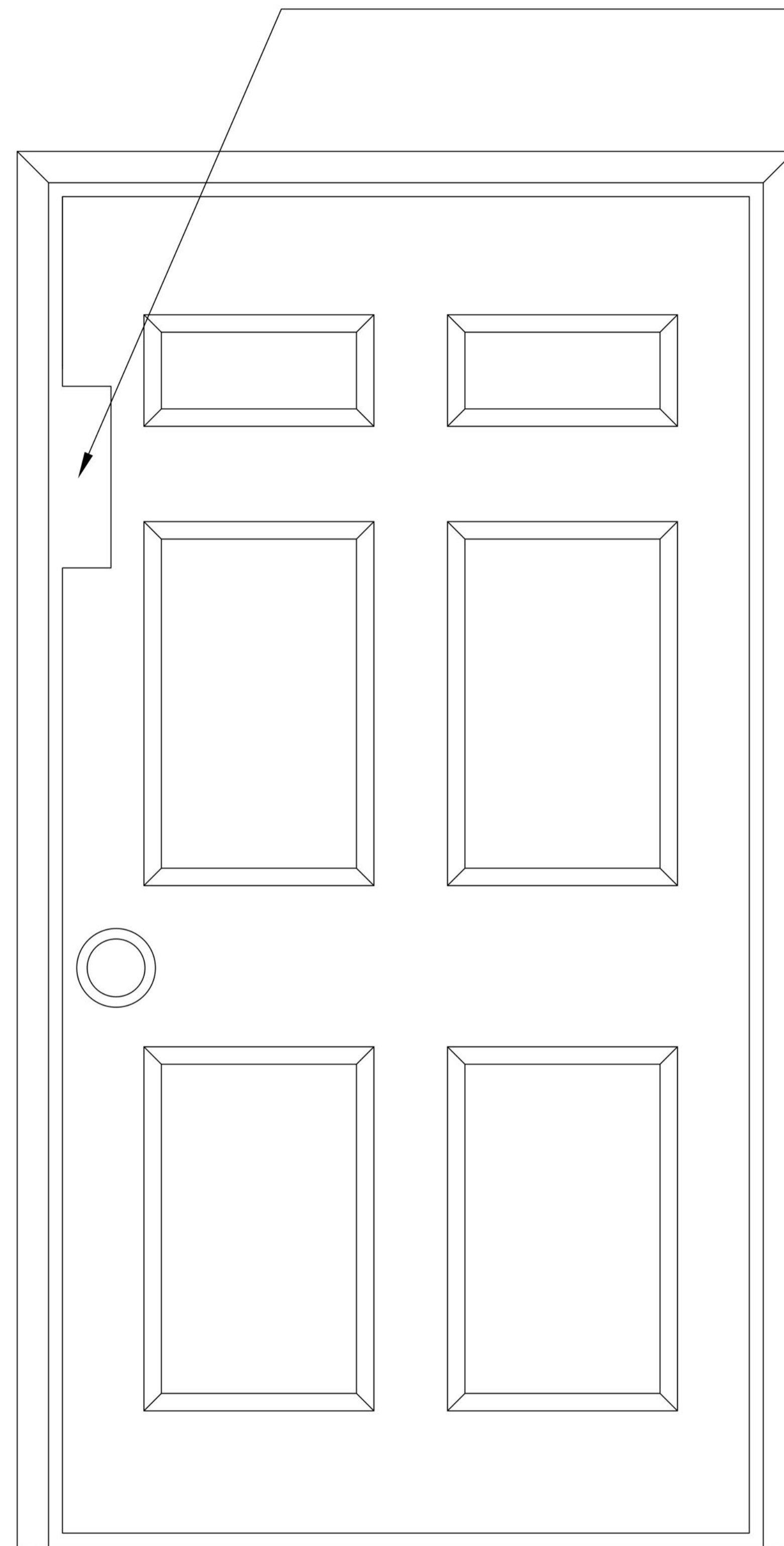
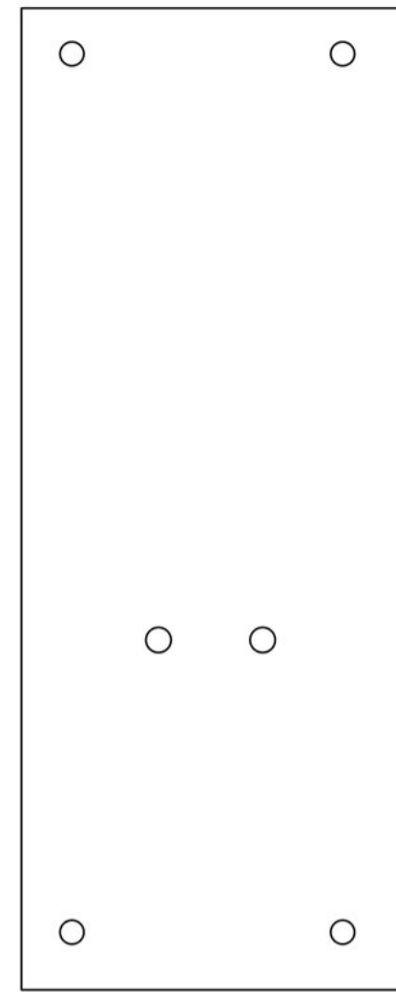


NOTCH COVER PLATE
FOR DOOR INTERLOCK
SUPPLIED BY S.E.I.



73" FOR DOORS 86"-108"

67" FOR DOORS 80"-85"

Finish Floor

SHAFT DOORS ARE REQUIRED
TO BE SOLID CORE

PROJECT NAME

PROJECT LOC

DRAWING NOT TO SCALE Filled By: _____ NAME: _____

PROPRIETARY AND CONFIDENTIAL
THE INFORMATION CONTAINED IN THIS DRAWING IS THE SOLE PROPERTY OF SOUTHEAST ELEVATOR INC. ANY REPRODUCTION IN PART OR AS A WHOLE WITHOUT THE WRITTEN PERMISSION OF SOUTHEAST ELEVATORS INDUSTRIES, LLC IS PROHIBITED.

By signing below, you are authorizing this job to be released for production as listed

Release for production/Approval

Date _____ Page 5

- All swing doors must comply with ASME 17.1, National Elevator Code and FBC, 3 x 5 rule or 3/4" x 4" as required by local jurisdiction.
- Consult factory for changes to door swing or offset location.
- See Rail Bracket Detail sheet for anchoring and support details.
- See Electrical Requirement sheet for electrical requirements

