

# The Outdoor Elevator

MODEL	ODE-500
CAPACITY	500 LBS
SPEED	25 FPM (Nominal)
DRIVE	OVERHEAD WINDING DRUM GEAR MOTOR
SUSPENSION MEANS	2X AIRCRAFT GRADE STAINLESS STEEL CABLES 1/4" IN DIAMETER
SAFETIES	INSTANTANEOUS TYPE "A" SLACK CABLE W/UNDER PAN PRESSURE PLATE
DOOR LOCKS	HONEYWELL RELIALIGN ELECTROMECHANICAL INTERLOCKS
OPERATION	PLC, RELAY, VFD MOTOR CONTROLLER, PLUG'N'PLAY FIELD WIRING
ELECTRICAL REQUIREMENTS	DEDICATED 120VAC 20AMP CIRCUIT
CONTROL SYSTEM	PLC, RELAY, VFD MOTOR CONTROLLER, PLUG'N'PLAY FIELD WIRING
CODE	AMSE 18.1.5-2014 PRIVATE RESIDENCE VERTICAL PLATFORM LIFT UNITS OVER 14' OF TRAVEL MAY REQUIRE VARIANCE.

CARRIAGE	
MODEL	3648 GEN 2-S
DESCRIPTION	SOLID LOWER
CONFIGURATION	SINGLE OPENING
GATE/DOOR SWING	NO
AUTO RAMP	NO
ACRYLIC PLEXI	YES
SAFETY PAN	48 IN

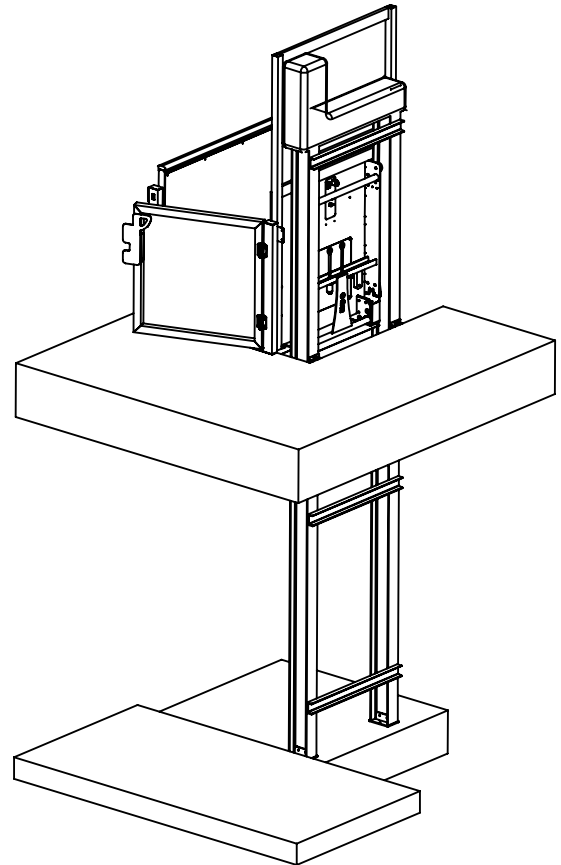
DOORS AND GATES	
TOP GATE/DOOR	36 IN LEFT HAND GATE
MIDDLE DOOR	NO
MIDDLE DOOR EXTENSION	NO
LOWER DOOR	BY OTHERS
LOWER DOOR EXTENSION	NO
ADDITIONAL DOOR FASCIA	NO
6IN I-BEAM BASE	NO
6IN FIXED RAMP	NO

WIRING		
	STANDARD INCLUDED	ADDITIONAL QTY IN 10FT LENGTHS
MOTOR WIRE	23.00FT	
TRAVELING CABLE	29.00ft	
DOOR & GATE CABLE	20.00ft	

FINISHES AND OPTIONS	
FINISH	MILL
BATTERY LOWERING	NO
FLOAT SWITCH	YES
CALL/SEND STATION	2
ADDITIONAL DOOR LOCK	NO

TOWER	
SUPPORT	STANDOFFS
LOCATION	RIGHT HAND
SPLICES	1
FASCIA TYPE	EXPANDED
FASCIA SIZE	(1) 67 IN, (1) 64 IN, (1) 35.50 IN

MOTOR	
NORD	RH-200



JOB ELEVATION	
NUMBER OF LANDINGS	2
CLEAR OVERHEAD	86.00
TRAVEL FROM 1ST-2ND	110.00
HEIGHT TO 1ST LOWEST EAVE	95.00
TRAVEL FROM 2ND-3RD	
HEIGHT TO END LOWEST EAVE	
PIT DEPTH	4.50



**THE OUTDOOR ELEVATOR  
CONFORMS TO  
ASME 18.1.5 2014**

APPROVAL STATUS:

APPROVED

APPROVED AS NOTED

REVISE AND RESUBMIT

SIGNATURE

	NAME	DATE
CREATED	KSB	7/12/2021
REVISED	JCE	7/12/2021

**PROPRIETARY AND CONFIDENTIAL**  
THE INFORMATION CONTAINED IN THIS DRAWING IS THE SOLE PROPERTY OF PRECISION LIFT INDUSTRIES, LLC. ANY REPRODUCTION IN PART OR AS A WHOLE WITHOUT THE WRITTEN PERMISSION OF PRECISION LIFT INDUSTRIES, LLC IS PROHIBITED.

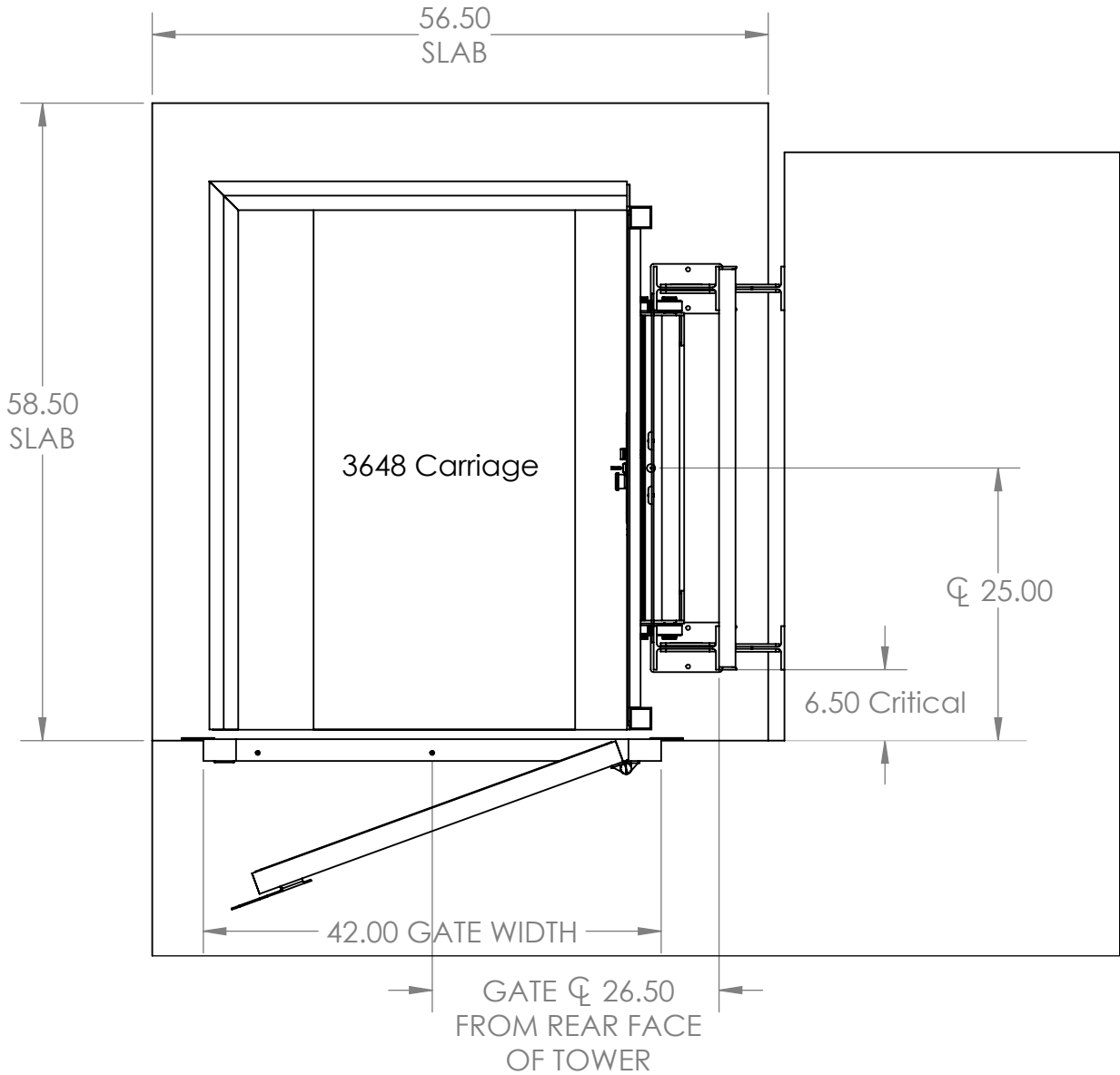
PROJECT NAME

PROJECT LOCATION  
**Precision Lift Industries**

COMMENTS:  
**Generic ODE-500**

SIZE DWG. NO. **A** REV.

SCALE 1:16 SHEET 1 OF 4



**THE OUTDOOR ELEVATOR  
CONFORMS TO  
ASME 18.1.5 2014**

APPROVAL STATUS:

- APPROVED
- APPROVED AS NOTED
- REVISE AND RESUBMIT

SIGNATURE

	NAME	DATE
CREATED	KSB	7/12/2021
REVISED	JCE	7/12/2021

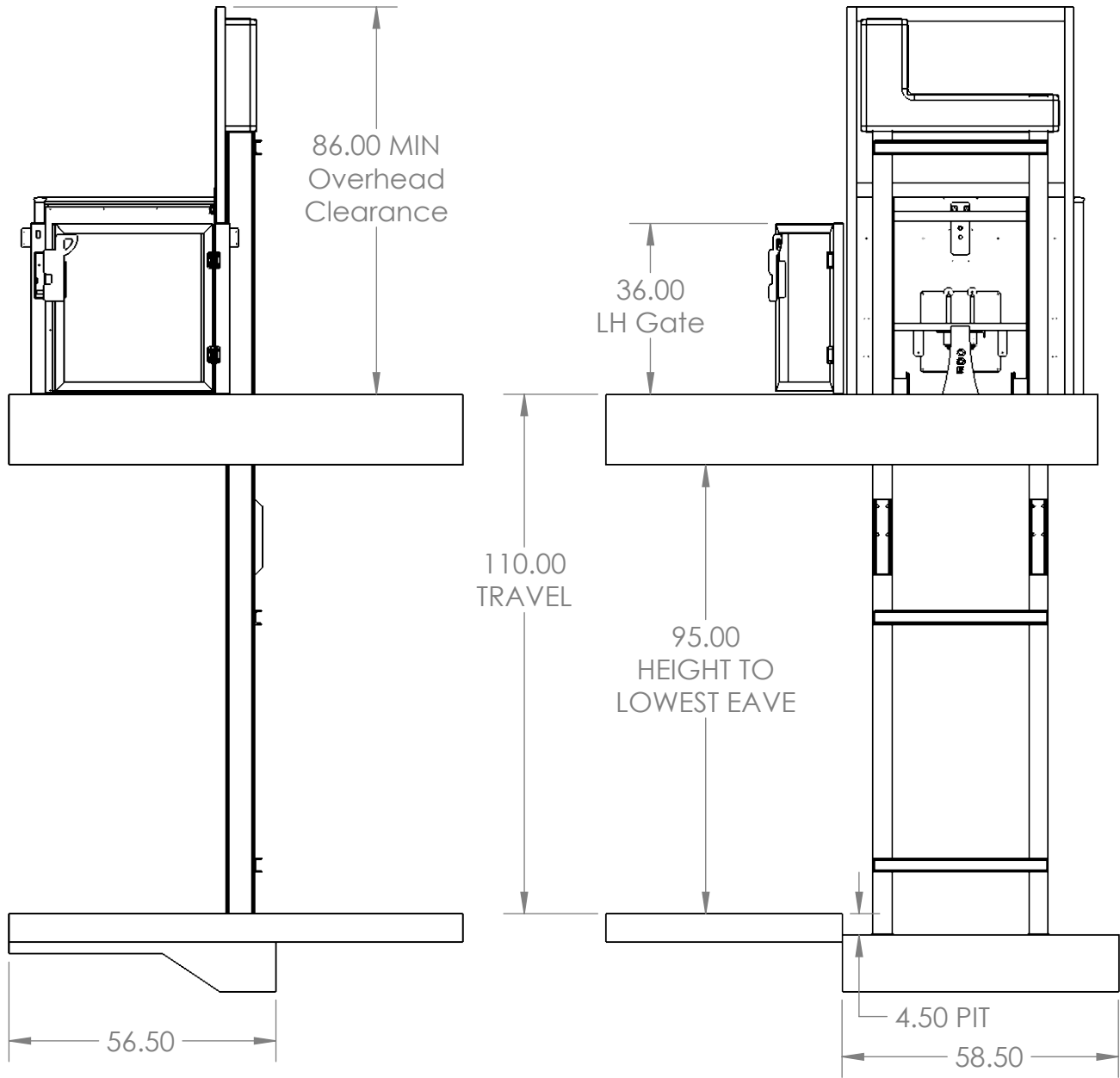
**PROPRIETARY AND CONFIDENTIAL**  
THE INFORMATION CONTAINED IN THIS DRAWING IS THE SOLE PROPERTY OF PRECISION LIFT INDUSTRIES, LLC. ANY REPRODUCTION IN PART OR AS A WHOLE WITHOUT THE WRITTEN PERMISSION OF PRECISION LIFT INDUSTRIES, LLC IS PROHIBITED.

PROJECT NAME

PROJECT LOCATION  
**Precision Lift Industries**

COMMENTS:  
**Generic ODE-500**

SIZE DWG. NO. **A** REV.



**THE OUTDOOR ELEVATOR  
CONFORMS TO  
ASME 18.1.5 2014**

APPROVAL STATUS:

- APPROVED
- APPROVED AS NOTED
- REVISE AND RESUBMIT

SIGNATURE

	NAME	DATE
CREATED	KSB	7/12/2021
REVISED	JCE	7/12/2021

**PROPRIETARY AND CONFIDENTIAL**  
THE INFORMATION CONTAINED IN THIS DRAWING IS THE SOLE PROPERTY OF PRECISION LIFT INDUSTRIES, LLC. ANY REPRODUCTION IN PART OR AS A WHOLE WITHOUT THE WRITTEN PERMISSION OF PRECISION LIFT INDUSTRIES, LLC IS PROHIBITED.

PROJECT NAME

PROJECT LOCATION  
**Precision Lift Industries**

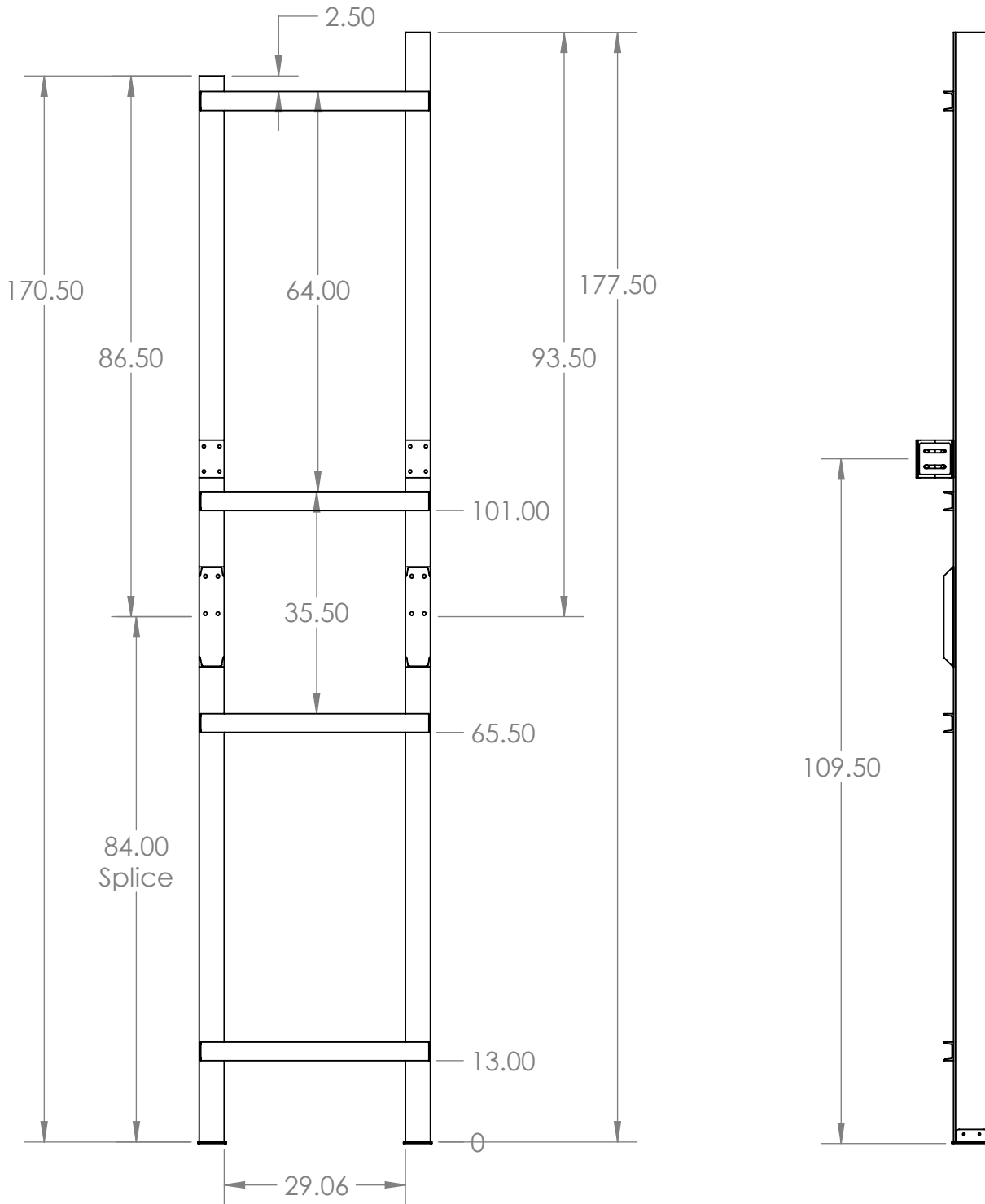
COMMENTS:  
**Generic ODE-500**

SIZE DWG. NO. REV.

**A**

SCALE 1:16

SHEET 3 OF 4



Expanded Fascia: 67, 35.5, 64



**THE OUTDOOR ELEVATOR  
CONFORMS TO  
ASME 18.1.5 2014**

APPROVAL STATUS:

APPROVED

APPROVED AS NOTED

REVISE AND RESUBMIT

SIGNATURE

	NAME	DATE
CREATED	KSB	7/12/2021
REVISED	JCE	7/12/2021

**PROPRIETARY AND CONFIDENTIAL**  
THE INFORMATION CONTAINED IN THIS DRAWING IS THE SOLE PROPERTY OF PRECISION LIFT INDUSTRIES, LLC. ANY REPRODUCTION IN PART OR AS A WHOLE WITHOUT THE WRITTEN PERMISSION OF PRECISION LIFT INDUSTRIES, LLC IS PROHIBITED.

PROJECT NAME

PROJECT LOCATION

Precision Lift Industries

COMMENTS:

Generic ODE-500

SIZE DWG. NO.

**A**

REV.

SCALE 1:16

SHEET 4 OF 4