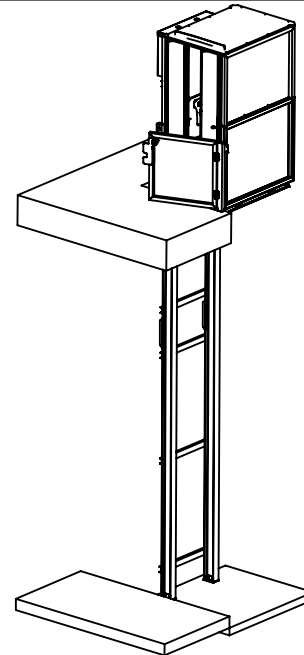


# The Outdoor Elevator

MODEL	ODE-750
CAPACITY	750 LBS
SPEED	25 FPM (Nominal)
DRIVE	COUNTERWEIGHT CHAIN SPROCKET GEAR MOTOR
SUSPENSION MEANS	ANSI #40 ROLLER CHAIN, 1/2 PITCH, 3900 LB BREAKING STRENGTH PER CHAIN
SAFETIES	INSTANTANEOUS TYPE "A" SLACK CABLE W/UNDER PAN PRESSURE PLATE
DOOR LOCKS	HONEYWELL RELIALIGN ELECTROMECHANICAL INTERLOCKS
OPERATION	PLC, RELAY, VFD MOTOR CONTROLLER, PLUG'N'PLAY FIELD WIRING
ELECTRICAL REQUIREMENTS	CONTROLLER COMES EQUIPPED WITH A 120VAC PLUG/PIGTAIL. REQUIRES A DEDICATED CIRCUIT, 120VAC, 20AMP OUTLET WITHIN SIGHT OF THE LIFT. FOR JURISDICTIONS WHICH REQUIRE THE CONTROLLER TO BE HARDWIRED, CUT CORD END AND HARD WIRE INTO APPROPRIATE DISCONNECTING MEANS. CORD MAY ALSO BE REMOVED AND REPLACED WITH APPROPRIATE WIRE SUPPLIED BY OTHERS.
CONTROL SYSTEM	PLC, RELAY, VFD MOTOR CONTROLLER, PLUG'N'PLAY FIELD WIRING
CODE	AMSE 18.1.5-2014 PRIVATE RESIDENCE VERTICAL PLATFORM LIFT UNITS OVER 14' OF TRAVEL MAY REQUIRE VARIANCE.

CARRIAGE		
MODEL	3654 GEN 2-SE	
DESCRIPTION	SOLID LOWER, PLEXI UPPER, STARBOARD TOP	
CONFIGURATION	SINGLE OPENING	
GATE/DOOR SWING	INWARD FOLDING GATE	
AUTO RAMP	NO	
ACRYLIC PLEXI	YES	
SAFETY PAN	54 IN	
DOORS AND GATES		
TOP GATE/DOOR	36 IN LEFT HAND	
MIDDLE DOOR	NO	
MIDDLE DOOR EXTENSION	NO	
LOWER DOOR	NO	
LOWER DOOR EXTENSION	NO	
ADDITIONAL DOOR FASCIA	NO	
6IN I-BEAM BASE	NO	
6IN FIXED RAMP	NO	
WIRING		
	STANDARD INCLUDED	ADDITIONAL QTY IN 10FT LENGTHS
MOTOR WIRE	23.00FT	
TRAVELING CABLE	29.00ft	
DOOR & GATE CABLE	20.00ft	
FINISHES AND OPTIONS		
FINISH	MILL	
BATTERY LOWERING	NO	
MANTALOCK + LED	YES	
CALL/SEND STATION	1	
ADDITIONAL DOOR LOCK	NO	
TOWER		
SUPPORT	STANDOFFS	
LOCATION	LEFT HAND	
SPLICES	1	
FASCIA TYPE	SOLID	
FASCIA SIZE		
MOTOR		
ODE 750 CHAIN DRIVE	1	



COUNTERWEIGHT PARTS	
TRACK	(4)96", (2) 78.50"
FASCIA AMOUNT	8
FASCIA SIZES	72 in
COUNTERWEIGHT ASSEMBLY	1
#40 ROLLER CHAIN	(2) 33FT
JOB ELEVATION	
NUMBER OF LANDINGS	2
CLEAR OVERHEAD	86.00
TRAVEL FROM 1ST-2ND	214.00
HEIGHT TO 1ST LOWEST EAVE	198.00
TRAVEL FROM 2ND-3RD	
HEIGHT TO END LOWEST EAVE	
PIT DEPTH	6.00



**THE OUTDOOR ELEVATOR  
CONFORMS TO  
ASME 18.1.5 2014**

APPROVAL STATUS:

APPROVED

APPROVED AS NOTED

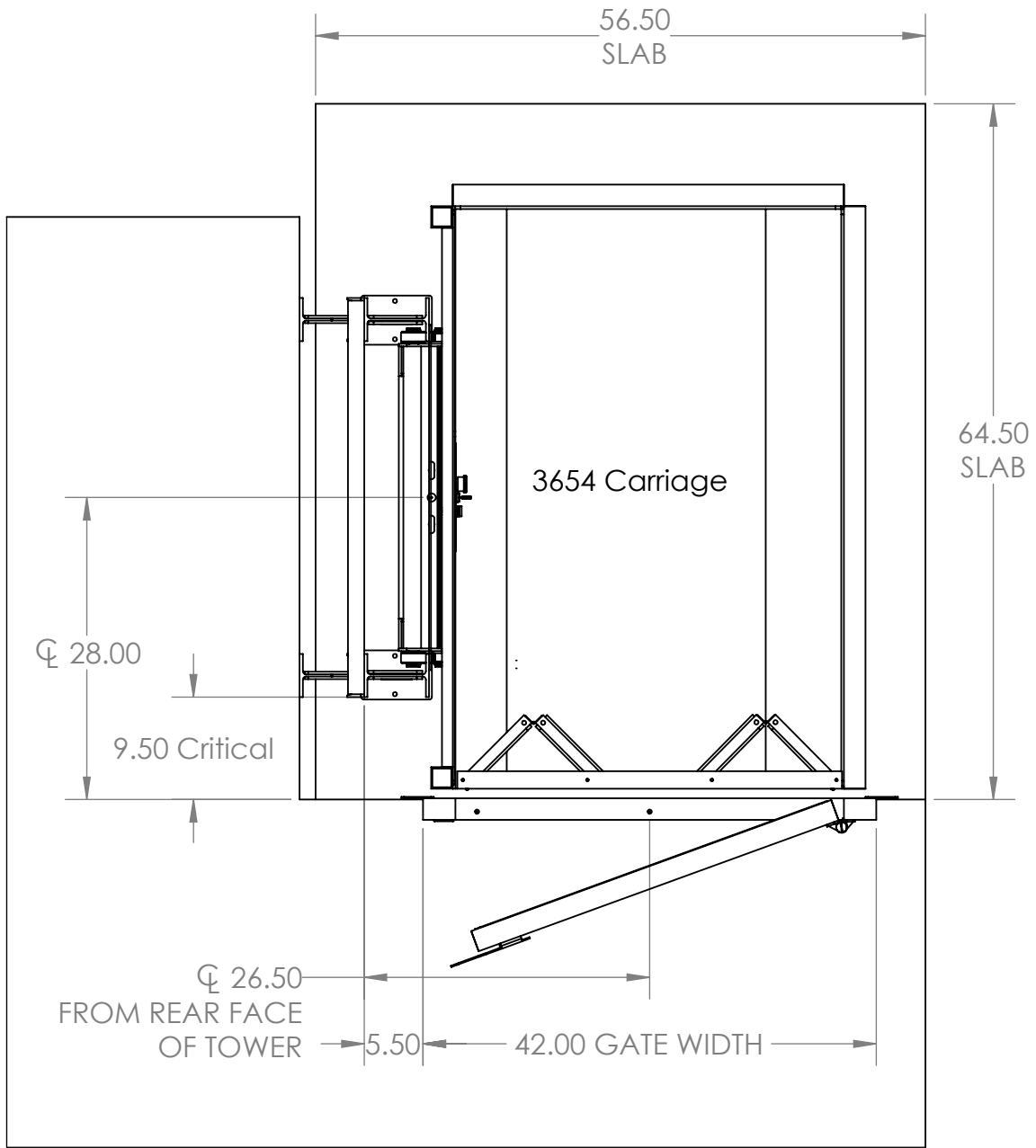
REVISE AND RESUBMIT

SIGNATURE

	NAME	DATE
CREATED	KSB	7/12/2021
REVISED	JCE	7/12/2021

**PROPRIETARY AND CONFIDENTIAL**  
THE INFORMATION CONTAINED IN THIS DRAWING IS THE SOLE PROPERTY OF PRECISION LIFT INDUSTRIES, LLC. ANY REPRODUCTION IN PART OR AS A WHOLE WITHOUT THE WRITTEN PERMISSION OF PRECISION LIFT INDUSTRIES, LLC IS PROHIBITED.

PROJECT NAME	
PROJECT LOCATION	Precision Lift Industries
COMMENTS:	Generic ODE-750
SIZE DWG. NO.	A
SCALE 1:16	SHEET 1 OF 4



**THE OUTDOOR ELEVATOR  
CONFORMS TO  
ASME 18.1.5 2014**

APPROVAL STATUS:

APPROVED

APPROVED AS NOTED

REVISE AND RESUBMIT

SIGNATURE

	NAME	DATE
CREATED	KSB	7/12/2021
REVISED	JCE	7/12/2021

**PROPRIETARY AND CONFIDENTIAL**  
THE INFORMATION CONTAINED IN  
THIS DRAWING IS THE SOLE  
PROPERTY OF PRECISION LIFT  
INDUSTRIES, LLC.  
ANY REPRODUCTION IN PART OR  
AS A WHOLE WITHOUT THE  
WRITTEN PERMISSION OF  
PRECISION LIFT INDUSTRIES, LLC IS  
PROHIBITED.

PROJECT NAME

PROJECT LOCATION

Precision Lift Industries

COMMENTS:

Generic ODE-750

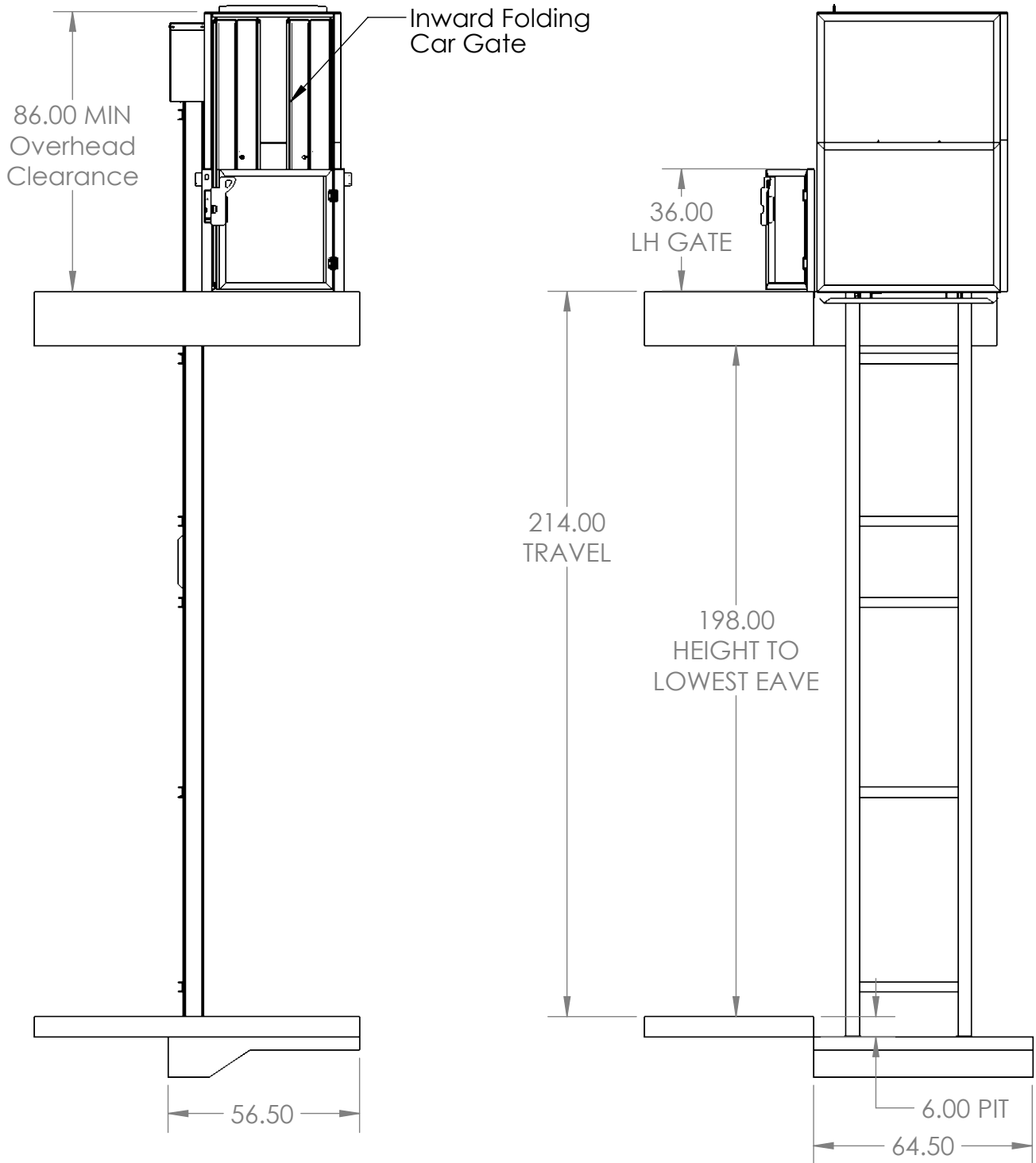
SIZE DWG. NO.

**A**

REV.

SCALE 1:16

SHEET 2 OF 4



**THE OUTDOOR ELEVATOR  
CONFORMS TO  
ASME 18.1.5 2014**

APPROVAL STATUS:

APPROVED

APPROVED AS NOTED

REVISE AND RESUBMIT

SIGNATURE

	NAME	DATE
CREATED	KSB	7/12/2021
REVISED	JCE	7/12/2021

**PROPRIETARY AND CONFIDENTIAL**  
THE INFORMATION CONTAINED IN THIS DRAWING IS THE SOLE PROPERTY OF PRECISION LIFT INDUSTRIES, LLC. ANY REPRODUCTION IN PART OR AS A WHOLE WITHOUT THE WRITTEN PERMISSION OF PRECISION LIFT INDUSTRIES, LLC IS PROHIBITED.

PROJECT NAME

PROJECT LOCATION

Precision Lift Industries

COMMENTS:

Generic ODE-750

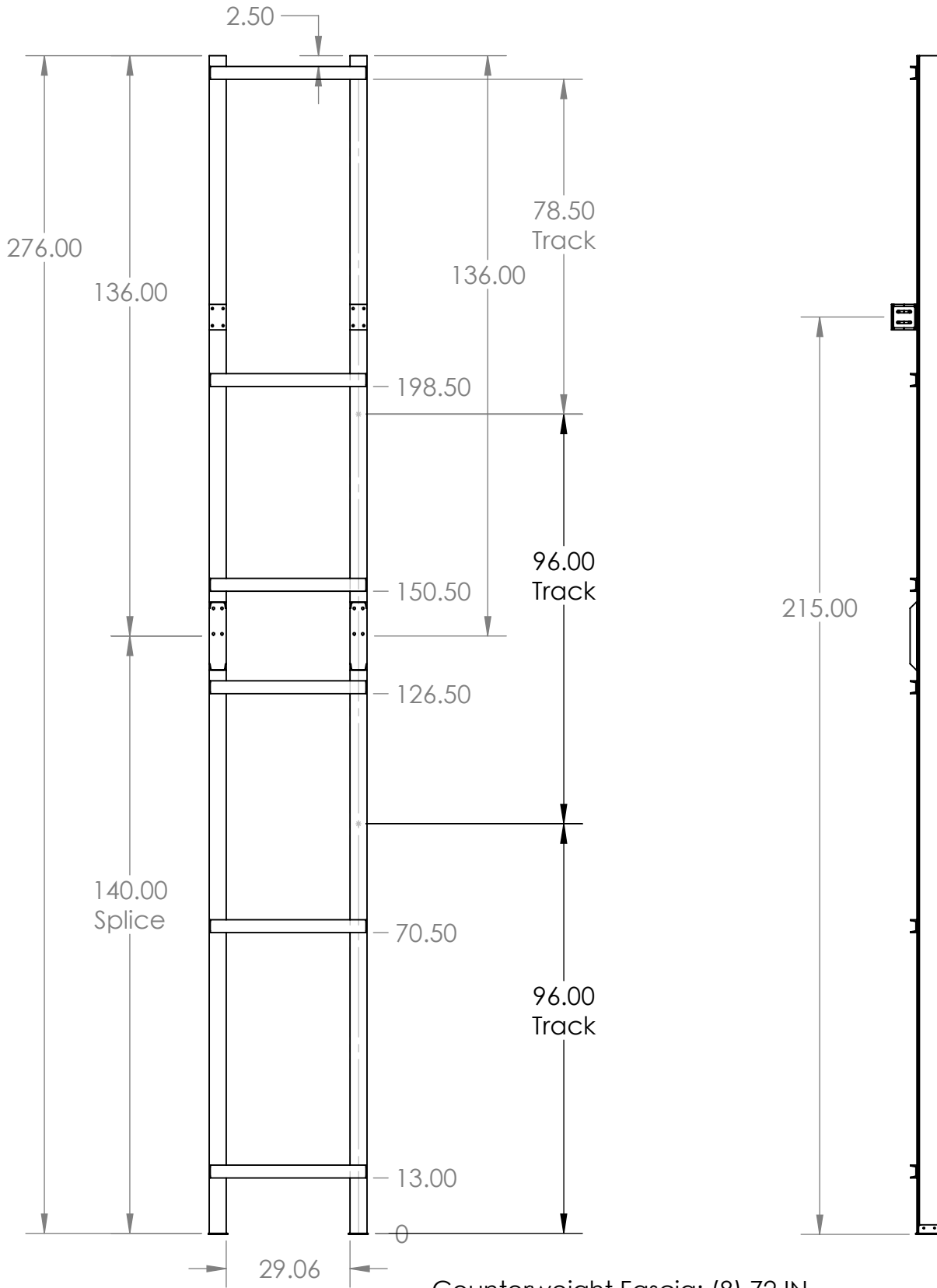
SIZE DWG. NO.

**A**

REV.

SCALE 1:16

SHEET 3 OF 4



Counterweight Fascia: (8) 72 IN



**THE OUTDOOR ELEVATOR  
CONFORMS TO  
ASME 18.1.5 2014**

APPROVAL STATUS:

- APPROVED
- APPROVED AS NOTED
- REVISE AND RESUBMIT

SIGNATURE

	NAME	DATE
CREATED	KSB	7/12/2021
REVISED	JCE	7/12/2021

**PROPRIETARY AND CONFIDENTIAL**  
THE INFORMATION CONTAINED IN THIS DRAWING IS THE SOLE PROPERTY OF PRECISION LIFT INDUSTRIES, LLC. ANY REPRODUCTION IN PART OR AS A WHOLE WITHOUT THE WRITTEN PERMISSION OF PRECISION LIFT INDUSTRIES, LLC IS PROHIBITED.

PROJECT NAME	
PROJECT LOCATION	
Precision Lift Industries	
COMMENTS:	
Generic ODE-750	
SIZE	DWG. NO.
<b>A</b>	
SCALE 1:16	SHEET 4 OF 4

REV.