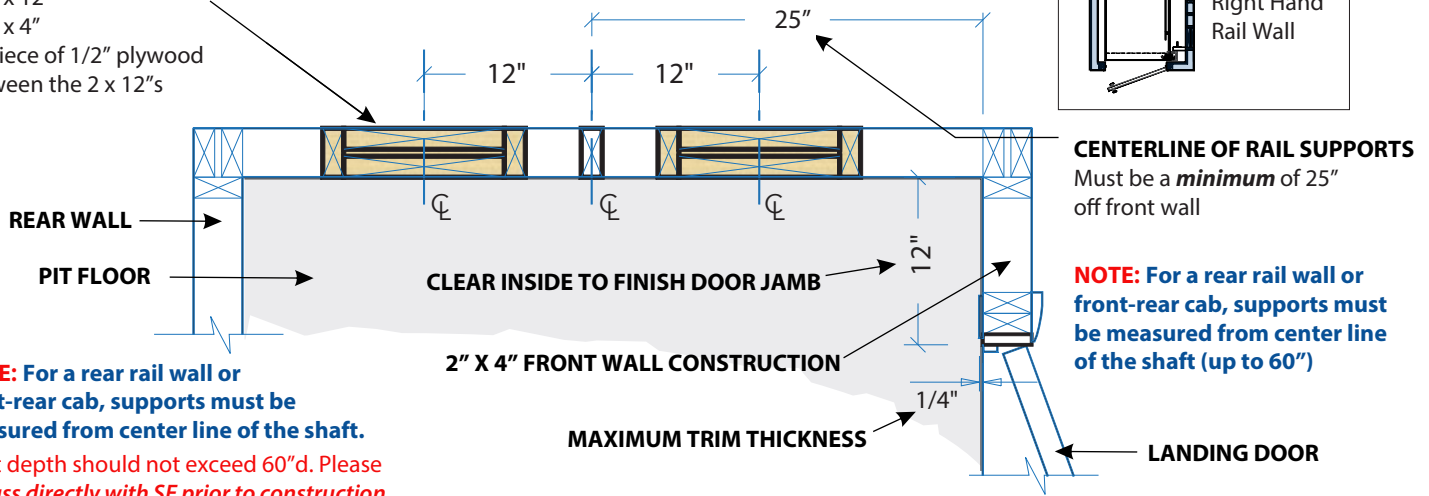


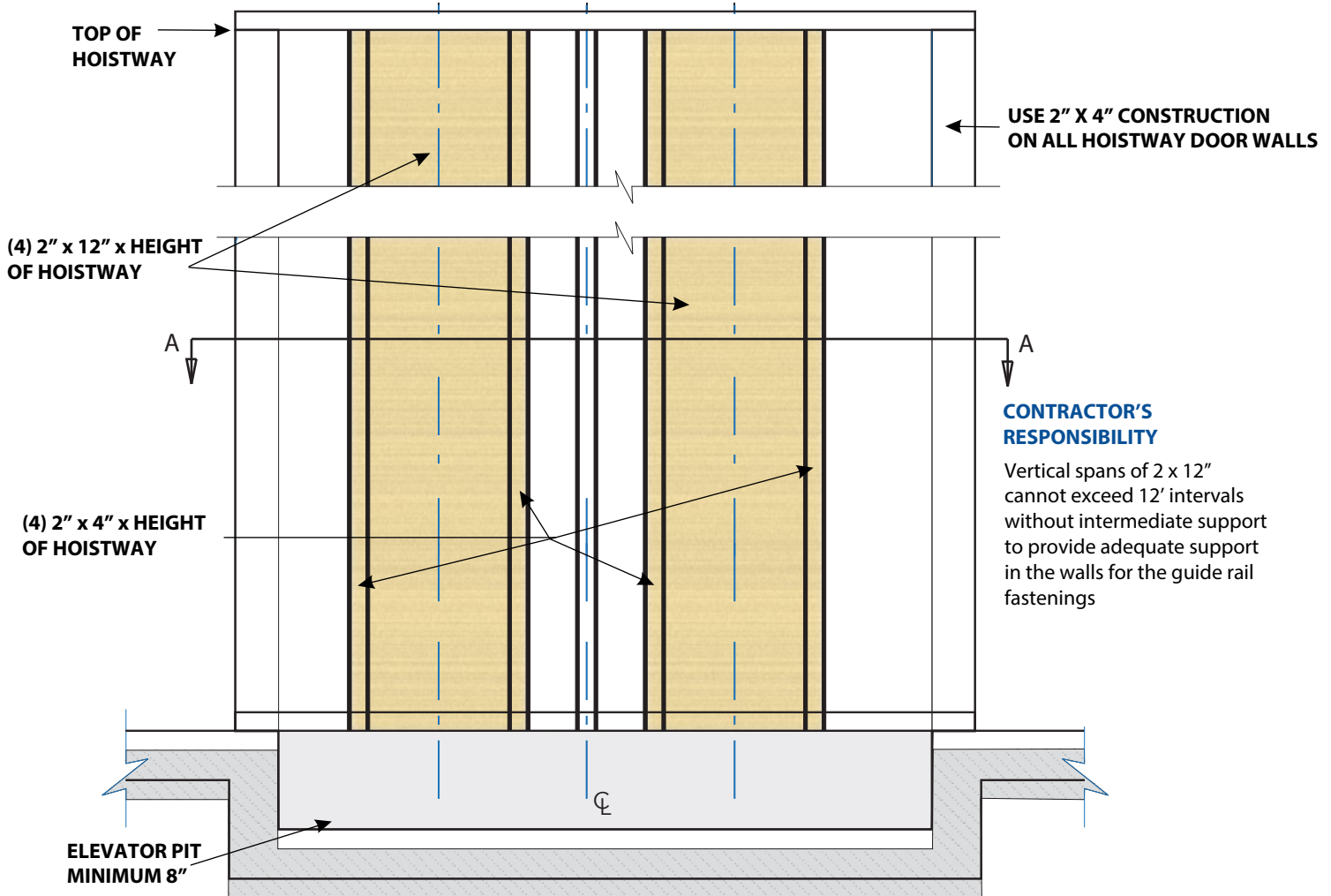
Elevator Shaft Structural Requirements

Every vertical support stack must have:
 (2) 2 x 12"
 (2) 2 x 4"
 (1) Piece of 1/2" plywood between the 2 x 12"s

OVERHEAD VIEW



ELEVATION



RIGHT HAND RAIL SUPPORTS SHOWN
 (Left hand is opposite)

PROPRIETARY AND CONFIDENTIAL
 THE INFORMATION CONTAINED IN THIS DRAWING IS THE SOLE PROPERTY OF SOUTHEAST ELEVATOR INC. ANY REPRODUCTION IN PART OR AS A WHOLE WITHOUT THE WRITTEN PERMISSION OF SOUTHEAST ELEVATORS INDUSTRIES, LLC IS PROHIBITED.

