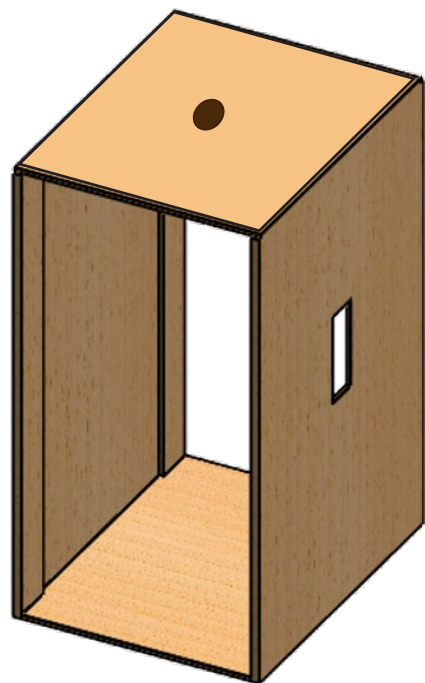


## Standard 4254PT Package Specs

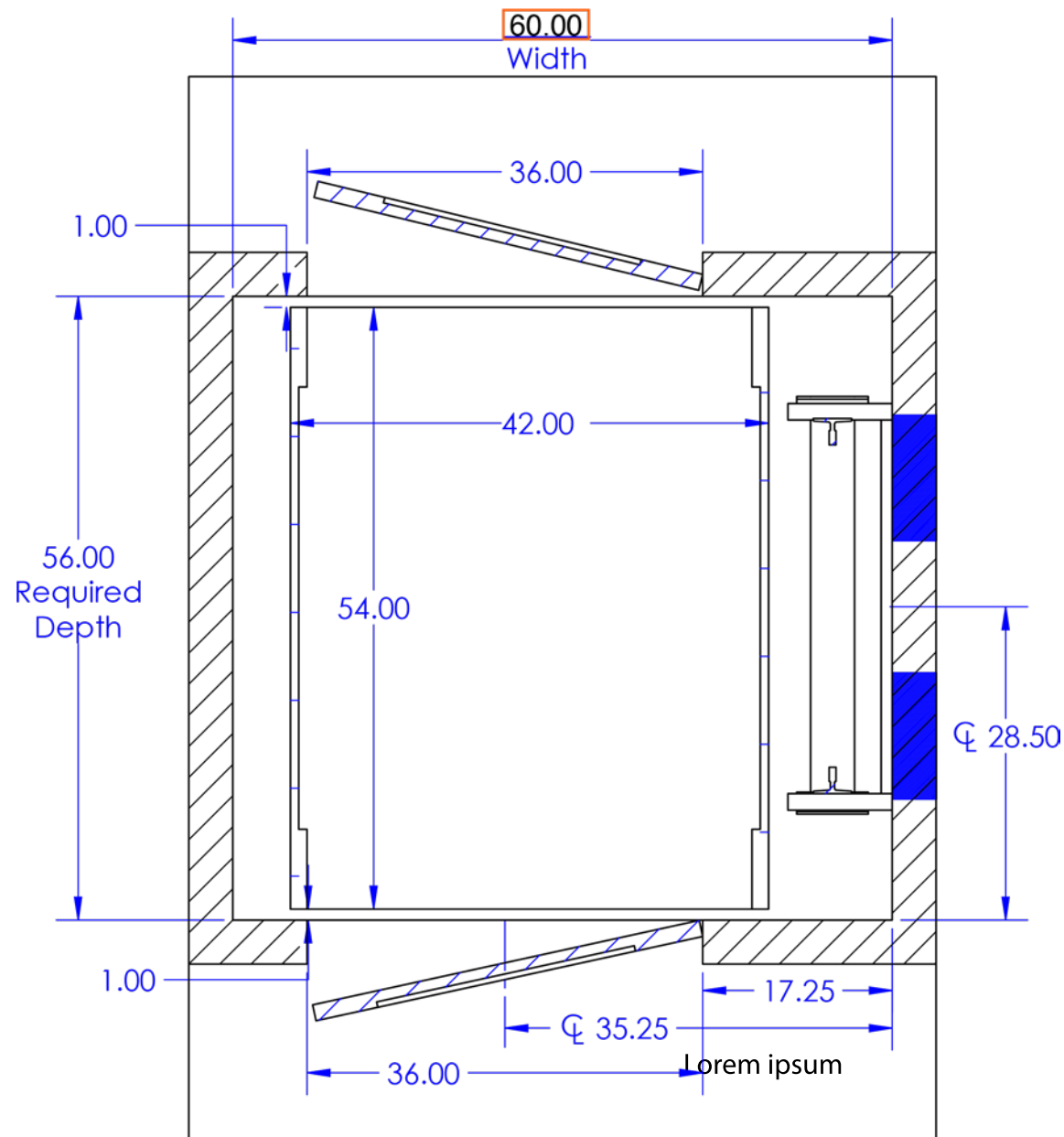
- Rails stack on right or left side of elevator shaft
- 42" wide x 54" deep platform size, 96" height
- 1" Finished floor allowance, 3/4" plywood sub-floor
- Stainless steel platform
- One LED cab light, automatic on/off
- Brushed stainless steel fixtures
- Integrated emergency phone
- Standard paint grade unfinished walls
- Clear panel, silver accordion gate
- Honeywell door interlocks
- Swing doors and jambs by others
- Battery lowering with emergency lighting

## Available Options

- Four LED lights
- Automatic gate opener
- Float switch

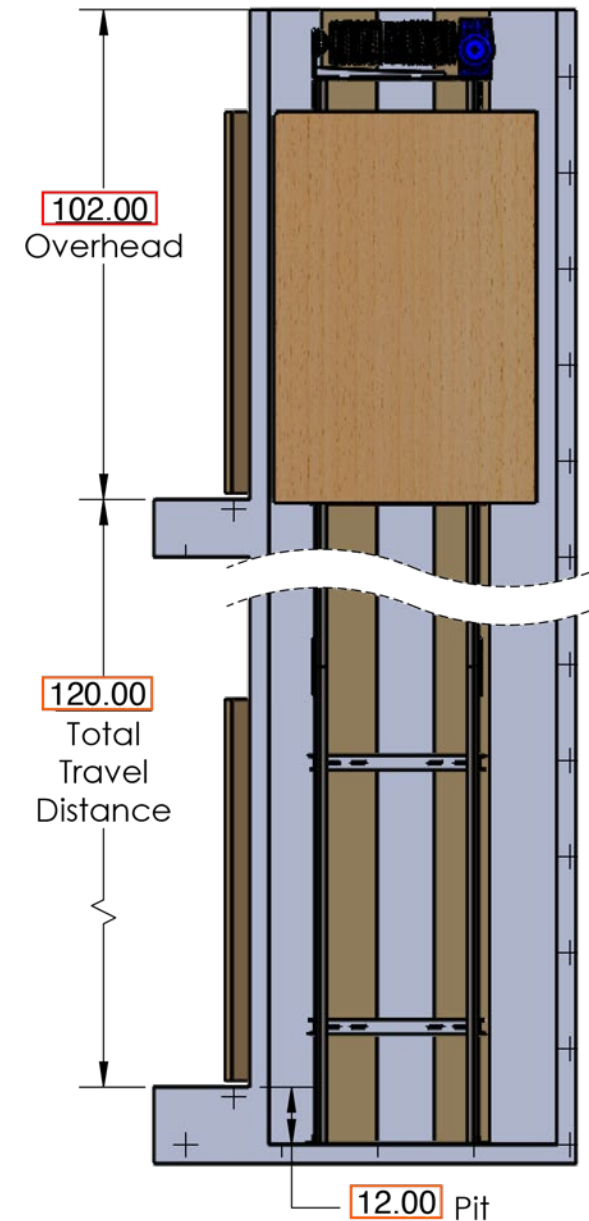


Number of landings: 2  
 Door swings: 0 LH, 0 RH  
 Cab height: 96"  
 Cab finish: Unfinished wood  
 Cab style: Standard flat wall



## Elevator Shaft Requirements

Pit: 12"  
 Width: 60" max.  
 Depth: 54" min., 60" max.

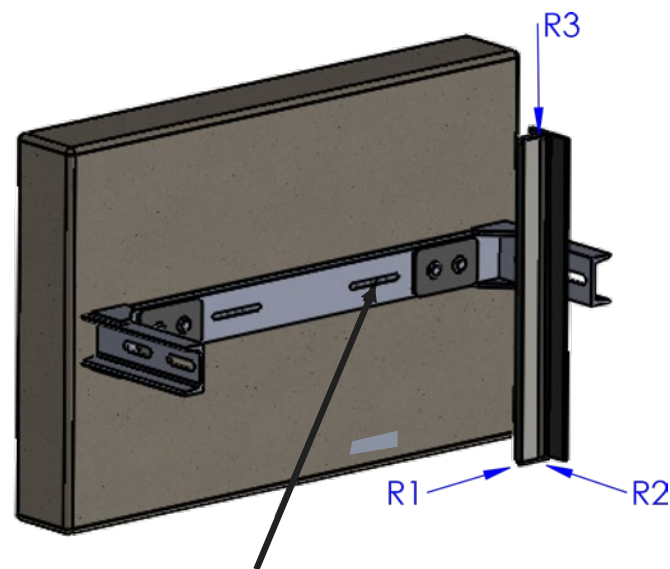
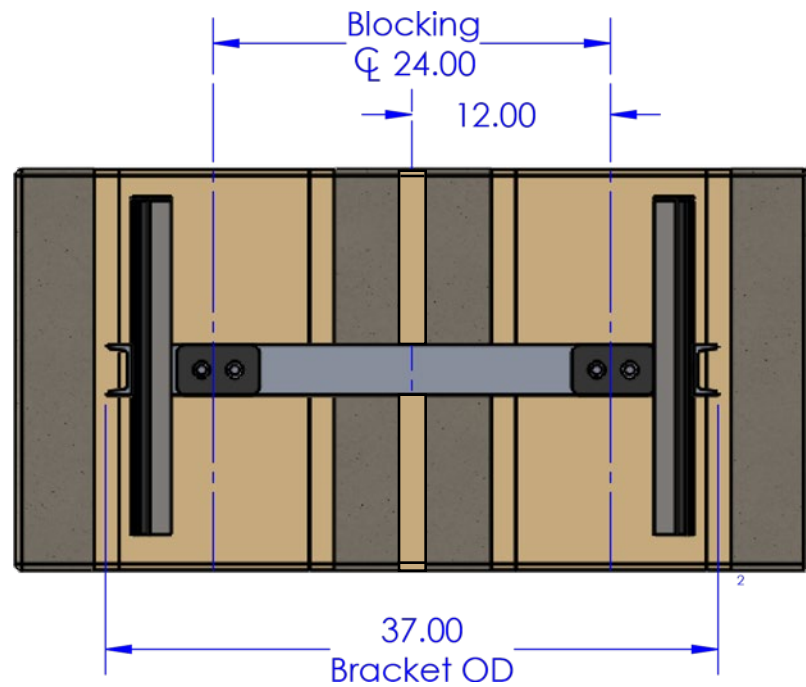


## Minimum Overhead Clearance

Cab	Overhead
82"	106"
96"	120"

<ul style="list-style-type: none"> <li>• All swing doors must comply with ASME 17.1, National Elevator Code, 3/4 x 4" rules required by local jurisdiction</li> <li>• Minimum shaft sizes shown</li> <li>• Consult factory for changes to door swing or offset location</li> <li>• See rail bracket detail sheet for anchoring and support details</li> <li>• See electrical requirement sheet for electrical requirements</li> <li>• All dimension are inside clear finished dimensions</li> </ul>	<b>DRAWING NOT TO SCALE</b>	NAME	DATE	PROJECT NAME
		Released By		PROJECT LOCATION
		By signing below, you are authorizing this job to be released for production as listed.		COMMENTS:
		PO#		SCALE: 1:16
PROPRIETARY AND CONFIDENTIAL THE INFORMATION CONTAINED IN THIS DRAWING IS THE SOLE PROPERTY OF PRECISION LIFT INDUSTRIES, LLC. ANY REPRODUCTION IN PART OR AS A WHOLE WITHOUT THE WRITTEN PERMISSION OF PRECISION LIFT INDUSTRIES, LLC IS PROHIBITED.		SHEET 16 OF 2		

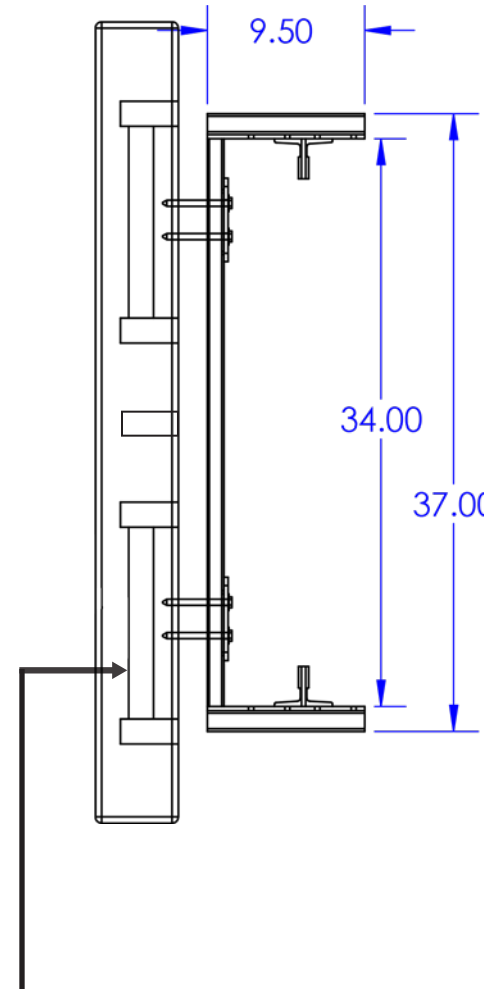
# Rail Bracket Detail Sheet



### Rail Forces

- R1: 105 lb
- R2: 250 lb
- R3: 3,750 lb

Attach via 3/8" x 4" lag bolts for wood or 3/8" x 5" wedge anchor for concrete



Double stacked 2x12 with 2x4 end caps running the full vertical length of the rail support wall

# WD9500 ELEVATOR

## Specifications

MODEL	WD-9500
CAPACITY	950 LB
SPEED	40 FPM (Nominal)
DRIVE	3 HP Gear motor with brake, 220VAC, Winding drum
SAFETIES	Instantaneous type "A" slack cable
DOOR LOCKS	Electromechanical, Honeywell Relialign Interlocks
ELECTRICAL REQUIREMENTS	110VAC 15AMP Dedicated circuit fed through disconnect 220VAC 30AMP Dedicated circuit fed through disconnect
CONTROL SYSTEM	PLC controller, VFD motor control, optical sensor landing system

### General Notes

Manufactured in compliance with ASME A17.1.5.3 National Safety Code For Elevators and Escalators and NEC

### Work by Others

Plumb, square and legal hoistway built to match shop drawings with adequate support and door opening in line.  
 220vac, 30 amp dedicated circuit fed through lockable fusible disconnect  
 120vac, 15 amp dedicated circuit fed through lockable fusible disconnect (disconnects must be adjacent to elevator controller location)  
 Dedicated phone line located adjacent to elevator controller



<p><b>DRAWING NOT TO SCALE</b></p> <p><b>PROPRIETARY AND CONFIDENTIAL</b></p> <p>THE INFORMATION CONTAINED IN THIS DRAWING IS THE SOLE PROPERTY OF PRECISION LIFT INDUSTRIES, LLC. ANY REPRODUCTION IN PART OR AS A WHOLE WITHOUT THE WRITTEN PERMISSION OF PRECISION LIFT INDUSTRIES, LLC IS PROHIBITED.</p>	NAME	DATE	PROJECT NAME
	Filled By		
	By signing below, you are authorizing this job to be released for production as listed.		PROJECT LOCATION
	Release for production	PO#	COMMENTS:
	SIZE <b>A</b>	DWG. NO. <b>4254PT</b>	REV.
	SCALE 1:16	SHEET 16 OF 2	

- All swing doors must comply with ASME 17.1, National Elevator Code, 3/4 x 4" rules required by local jurisdiction
- Minimum shaft sizes shown
- Consult factory for changes to door swing or offset location
- See rail bracket detail sheet for anchoring and support details
- See electrical requirement sheet for electrical requirements
- All dimension are inside clear finished dimensions