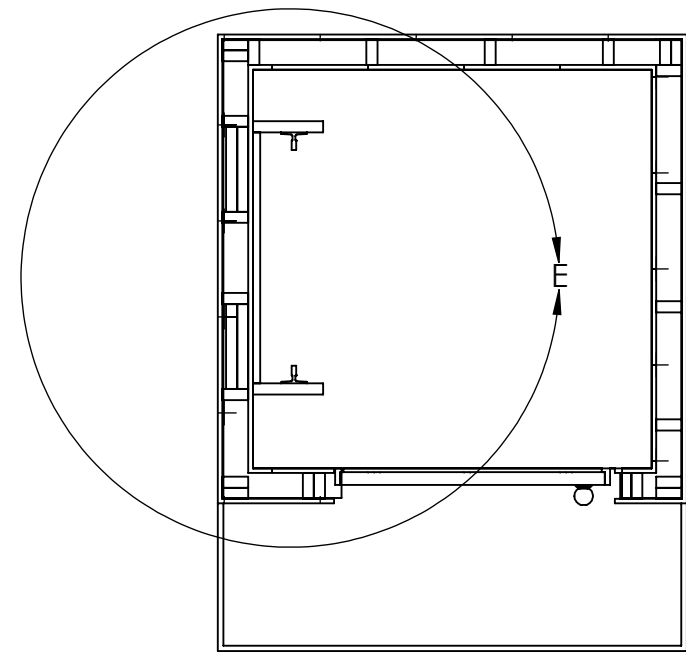
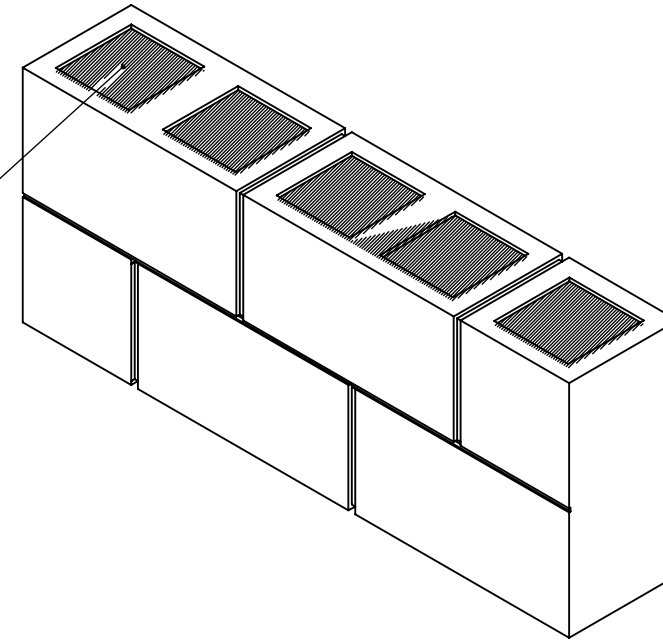


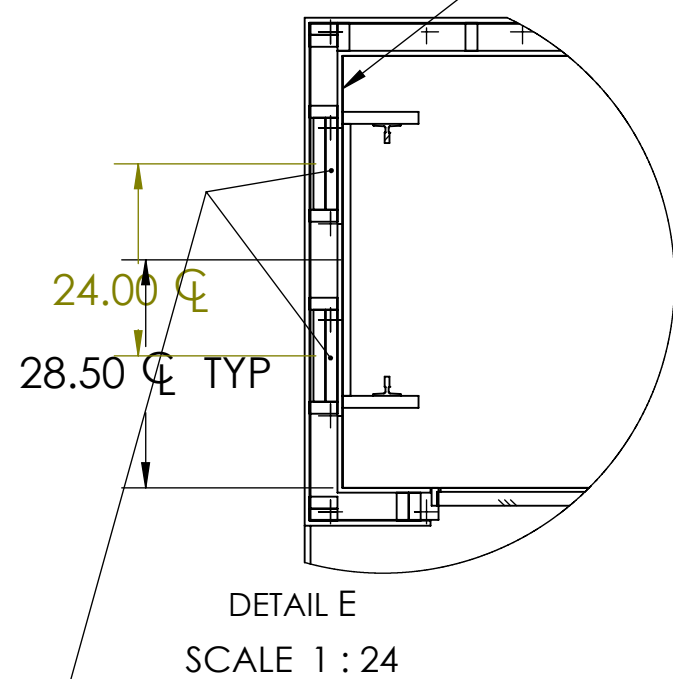
SUPPORT WALL DETAIL



IF SUPPORT WALL IS BLOCK,
BACK FILL ALL CELLS SOLID
FROM TOP TO BOTTOM AT RAIL
STACK LOCATION



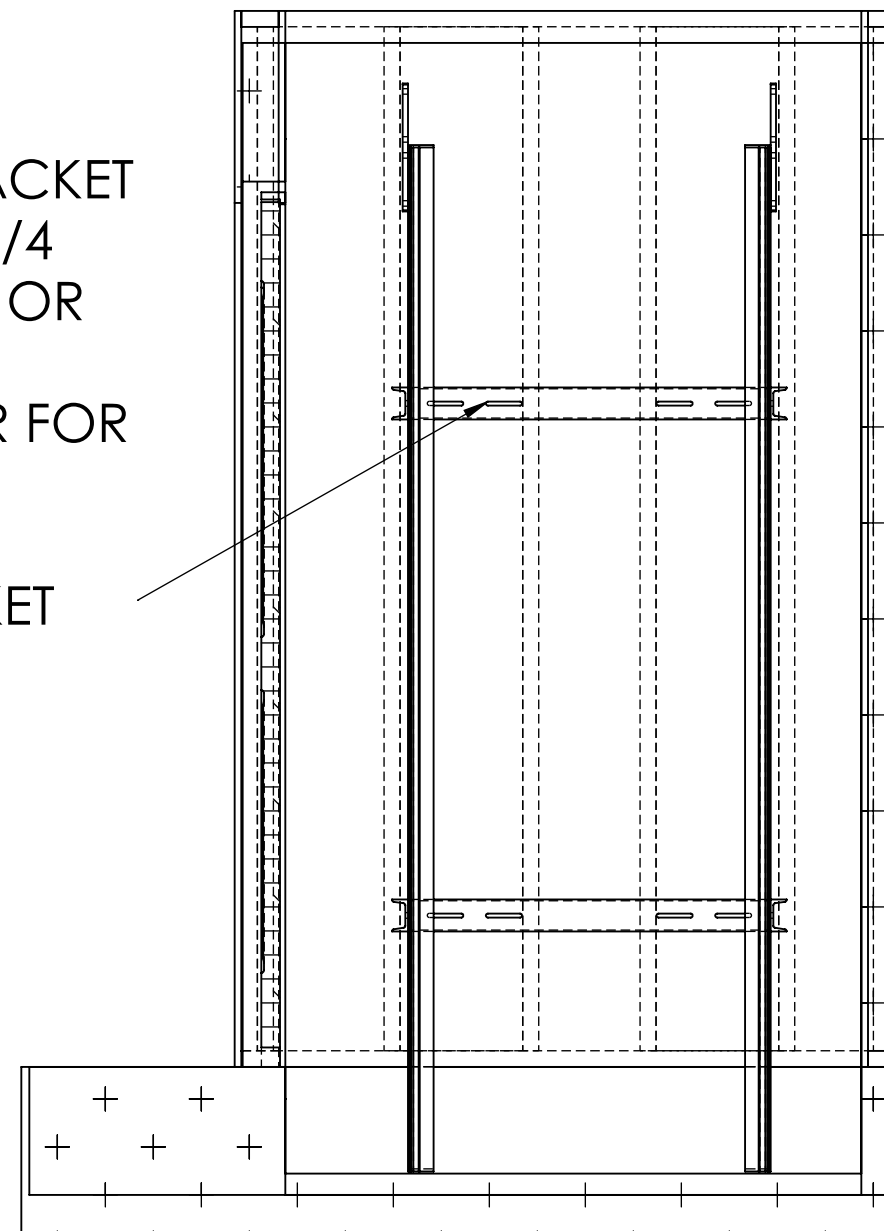
INTERIOR HOISTWAY
WALL TO BE SHEETED
WITH 1/2" PLYWOOD



DOUBLE STACKED 2X12'S
WITH 2X4 END CAPS
RUNNING THE FULL
VERTICAL LENGTH OF THE
HOISTWAY SUPPORT WALL.
2X12'S GLUED AND
SCREWED TOGETHER FOR
NOISE AND STRENGTH.

ATTACH RAIL BRACKET
VIA MIN 3/8 X 3 1/4
LAG FOR WOOD OR
MIN 3/8 X X 3 1/2
WEDGE ANCHOR FOR
CONCRETE

(4) TOTAL/BRACKET



WORK REQUIRED BY OTHERS

1. PLUMB AND SQUARE HOISTWAY BUILT TO LOCAL AND STATE CODE REQUIREMENTS.
2. SLEEVES/CONDUITS FOR HYDRAULIC HOSES AND ELECTRICAL PENETRATIONS FROM HOISTWAY TO EQUIPMENT ROOM.
3. REMOVABLE BARRICADES ON HOISTWAY ENTRANCES.
4. ALL DIMENSIONAL TOLERANCES TO BE WITHIN 1/4".
5. EQUIPMENT ROOM WITH 220VAC AND 110VAC CIRCUITS WITH NUETRAL AND DISCONNECTS SUPPLIED TO CONTROLLER.
6. LIVE ANALOG TELEPHONE LINE.

STRUCTURAL NOTE: DRAWINGS SIGNED AND SEALED FOR WALL ANCHORAGE TO MEET MANUFACTURERS SPECIFICATIONS FOR LOADS IMPOSED.

GENERAL NOTES

MANUFACTURED IN COMPLIANCE WITH ASME A17.1.5.3 NATIONAL SAFETY CODE 2019, RESIDENTIAL NEC AND FBC 2023

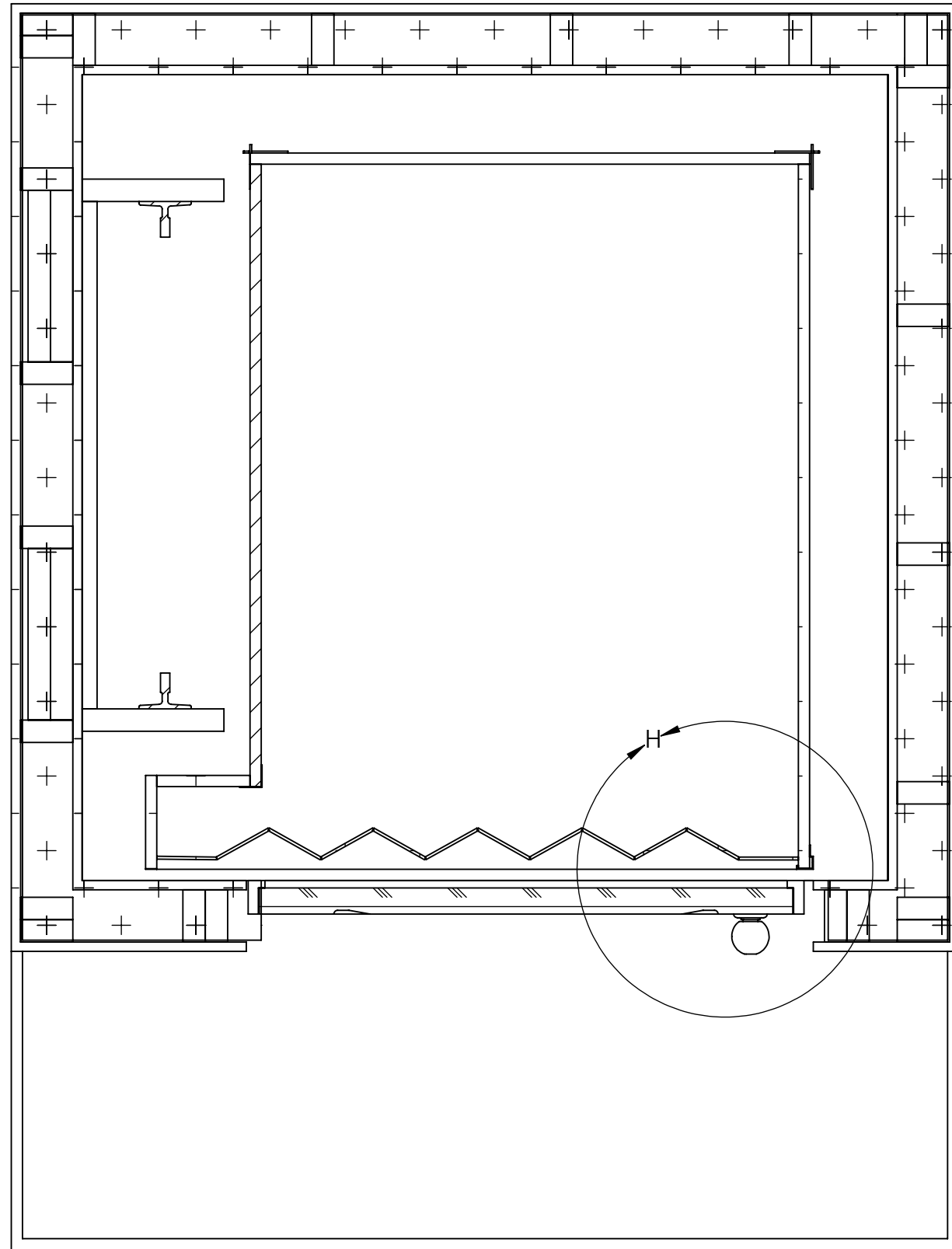


- CODE: ASME A17.1 - 2019 (Section 5.3) / FBC - 2023
- All swing doors must comply with ASME 17.1, National Elevator Code and FBC 3/4x4 rule.
- Consult factory for changes to door swing or offset location.⁴
- See Rail Bracket Detail sheet for anchoring and support details.
- See Electrical Requirement sheet for electrical requirements.

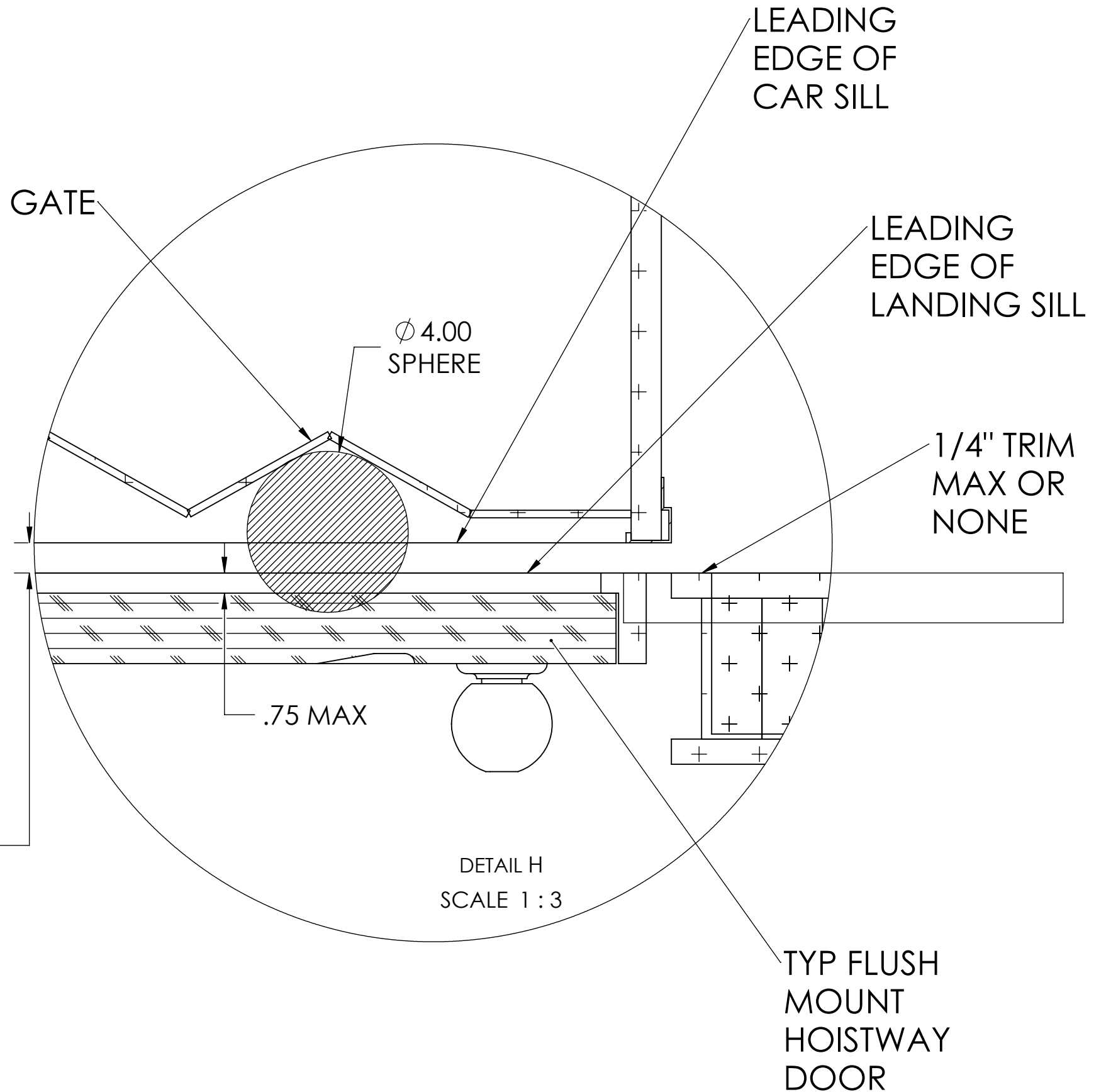
Project Name		SUPPORT WALL DETAIL	
Project Location			
Created By	KSB	Order #	
Created On	5/14/2024	By signing below, you authorizing this job to be released for production as listed	
DO NOT SCALE DRAWING		Approved for Production	
PROPRIETARY AND CONFIDENTIAL		THE INFORMATION CONTAINED IN THIS DRAWING IS THE SOLE PROPERTY OF SOUTHEAST ELEVATOR INC. ANY REPRODUCTION IN PART OR AS A WHOLE WITHOUT THE WRITTEN PERMISSION OF SOUTHEAST ELEVATOR INC IS PROHIBITED.	
DATE		SHEET 5 OF 9	

DOOR CODE REQUIREMENTS

TYPICAL ELEVATOR HOISTWAY



TYP CAR GATE



1/2" MIN - 1 1/4" MAX
RUNNING CLEARANCE

ASME A17.1 National Code for Elevators - Section 5 - 2019

5.3.1.8.2 The distance between the hoistway door and the edge of the landing sill must not exceed 3/4".

Florida Statute Chapter 399 / FBC R321.4 - 2023 8th Edition

Clearance requirements between elevator doors for elevators inside a private residence.

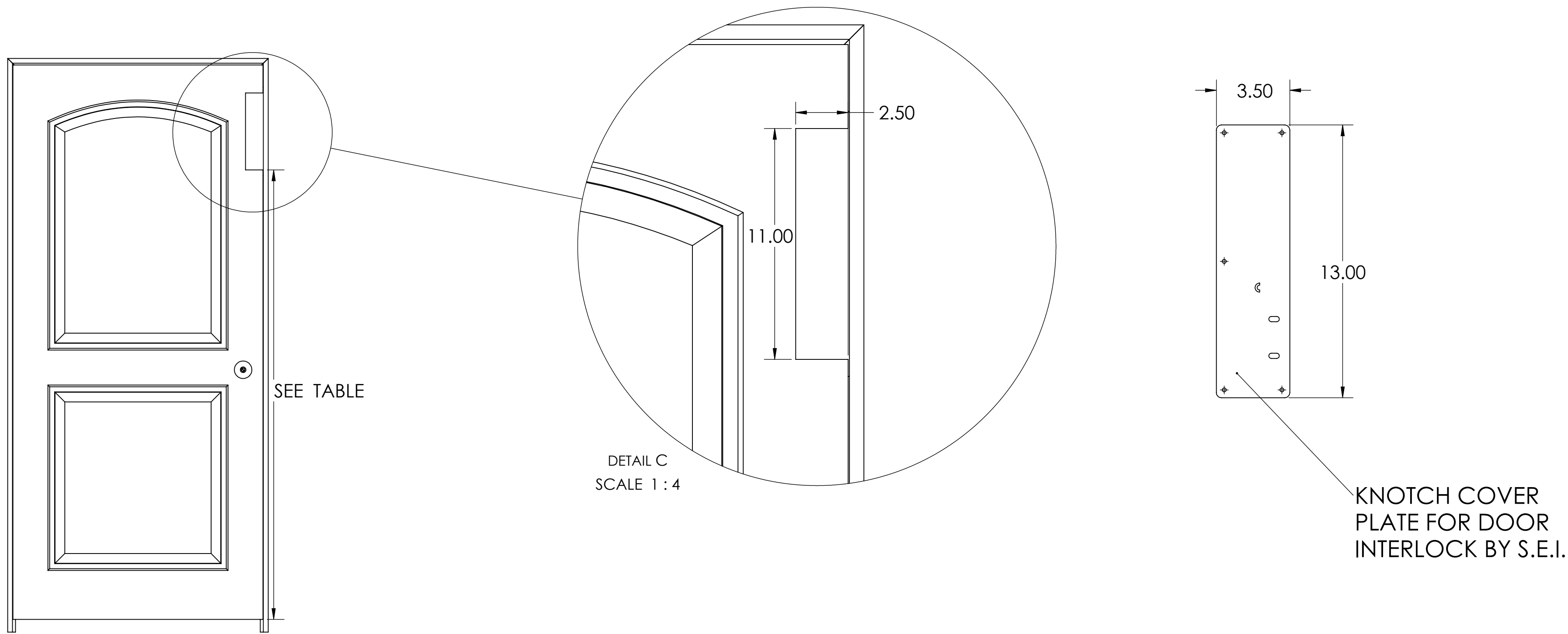
(a) The distance between the hoistway face of the hoistway doors and the hoistway edge of the landing sill may not exceed 3/4 inch for swinging doors and 2 1/4 inches for sliding doors.

Project Name		DOOR CODE REQUIREMENTS	
Project Location			
Created By	KSB	Order #	
Created On	5/14/2024	By signing below, you authorizing this job to be released for production as listed	
DO NOT SCALE DRAWING			
PROPRIETARY AND CONFIDENTIAL			
THE INFORMATION CONTAINED IN THIS DRAWING IS THE SOLE PROPERTY OF SOUTHEAST ELEVATOR INC. ANY REPRODUCTION IN PART OR AS A WHOLE WITHOUT THE WRITTEN PERMISSION OF SOUTHEAST ELEVATOR INC IS PROHIBITED.		Approved for Production	
DATE		SHEET 6 OF 9	



- CODE: ASME A17.1 - 2019 (Section 5.3) / FBC - 2023
- All swing doors must comply with ASME 17.1, National Elevator Code and FBC 3/4x4 rule.
- Consult factory for changes to door swing or offset location.⁴
- See Rail Bracket Detail sheet for anchoring and support details.
- See Electrical Requirement sheet for electrical requirements.

Door Notch BY OTHERS Detail



SHAFT DOORS ARE REQUIRED TO BE SOLID CORE.

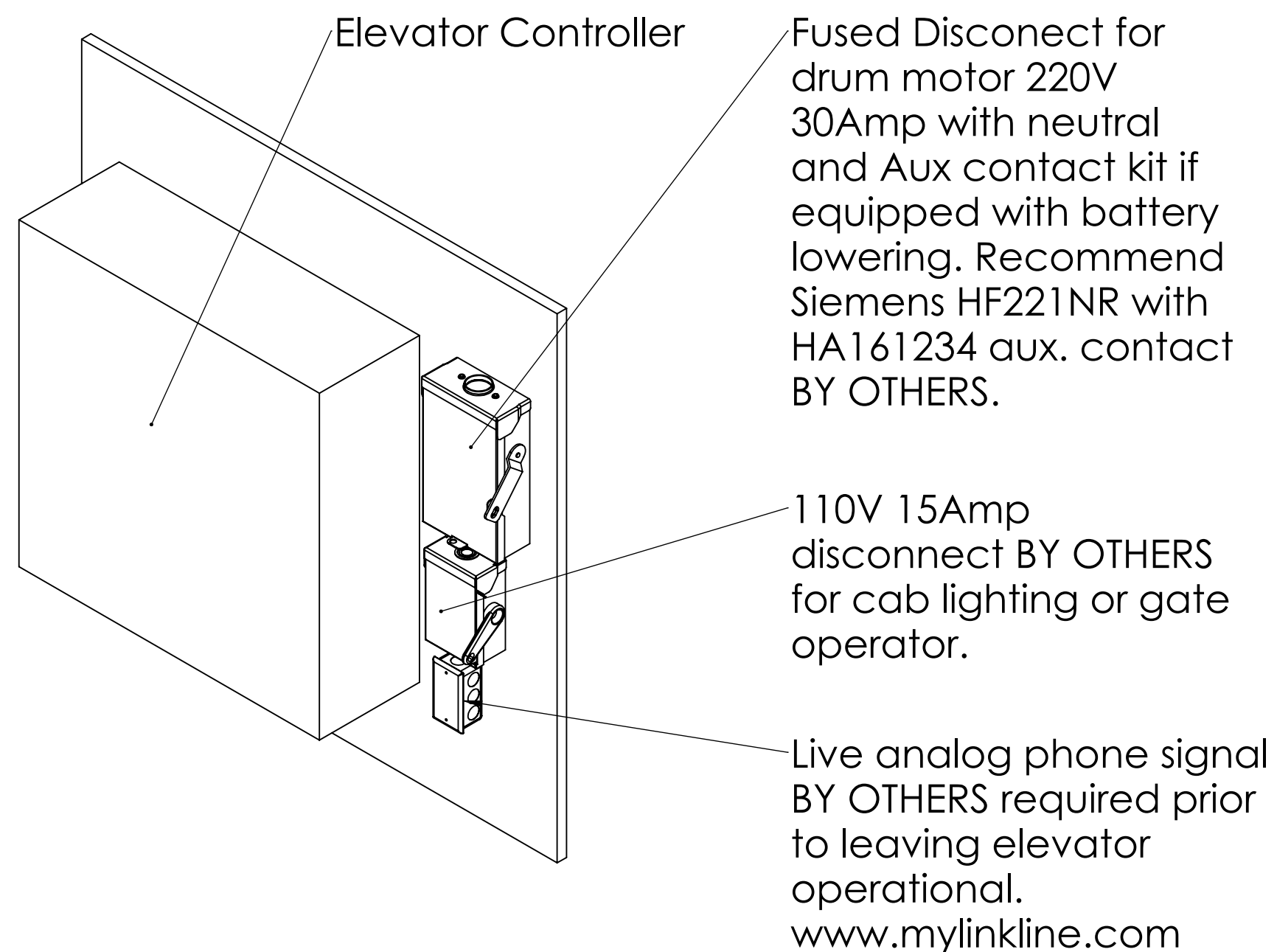
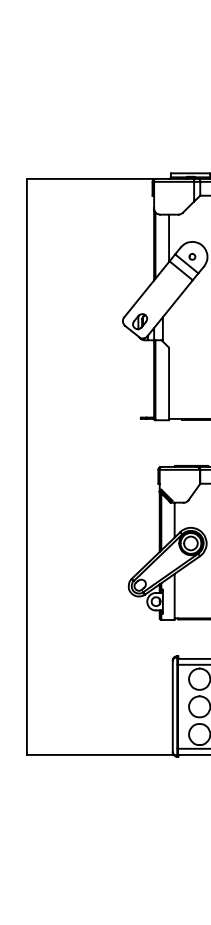
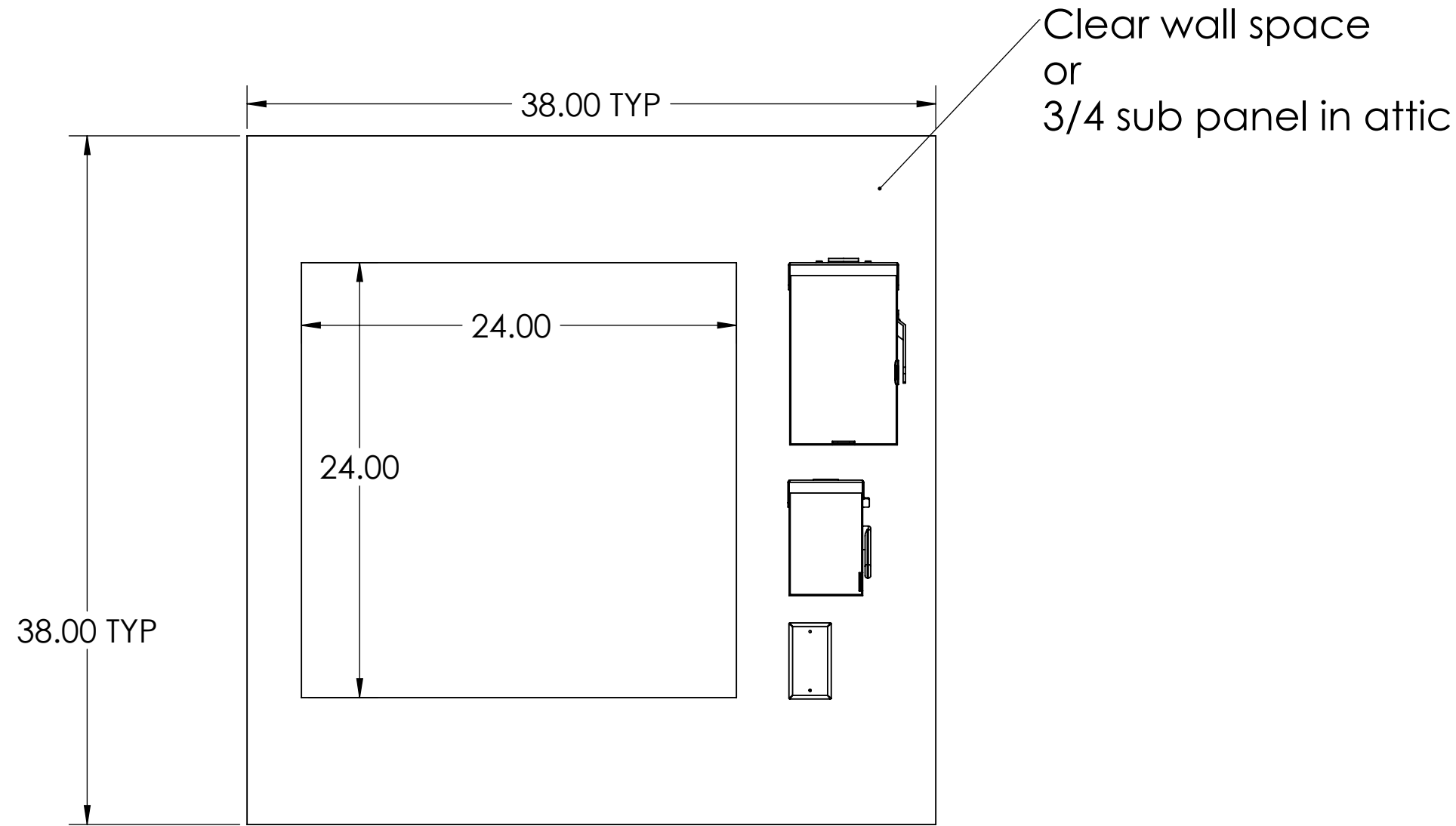
Door Height	Cut Height From Bottom of Door
80"-84"	67"
86"-108"	73"



- CODE: ASME A17.1 - 2019 (Section 5.3) / FBC - 2023
- All swing doors must comply with ASME 17.1, National Elevator Code and FBC 3/4x4 rule.
- Consult factory for changes to door swing or offset location.⁴
- See Rail Bracket Detail sheet for anchoring and support details.
- See Electrical Requirement sheet for electrical requirements.

Project Name		DOOR NOTCH BY OTHERS DETAIL	
Project Location			
Created By	KSB	Order #	
Created On	5/14/2024	By signing below, you authorizing this job to be released for production as listed	
DO NOT SCALE DRAWING		Approved for Production	
PROPRIETARY AND CONFIDENTIAL		THE INFORMATION CONTAINED IN THIS DRAWING IS THE SOLE PROPERTY OF SOUTHEAST ELEVATOR INC. ANY REPRODUCTION IN PART OR AS A WHOLE WITHOUT THE WRITTEN PERMISSION OF SOUTHEAST ELEVATOR INC IS PROHIBITED.	
DATE			SHEET 7 OF 9

TYP OVERHEAD WINDING DRUM CONTROLLER LAYOUT

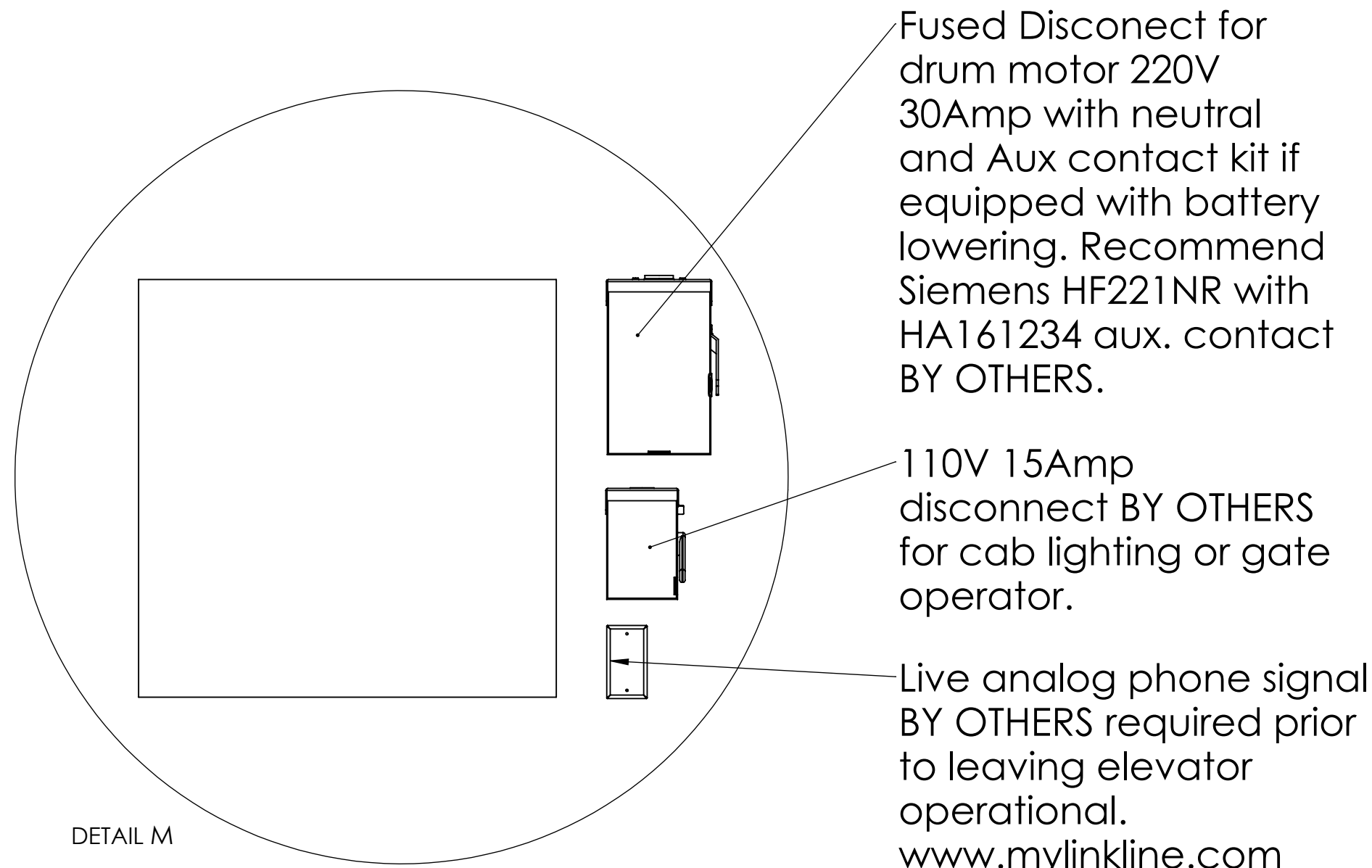
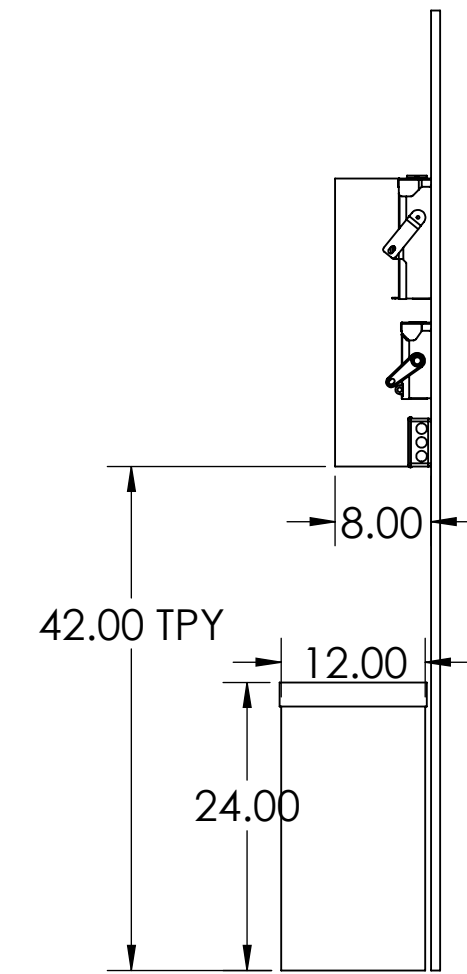
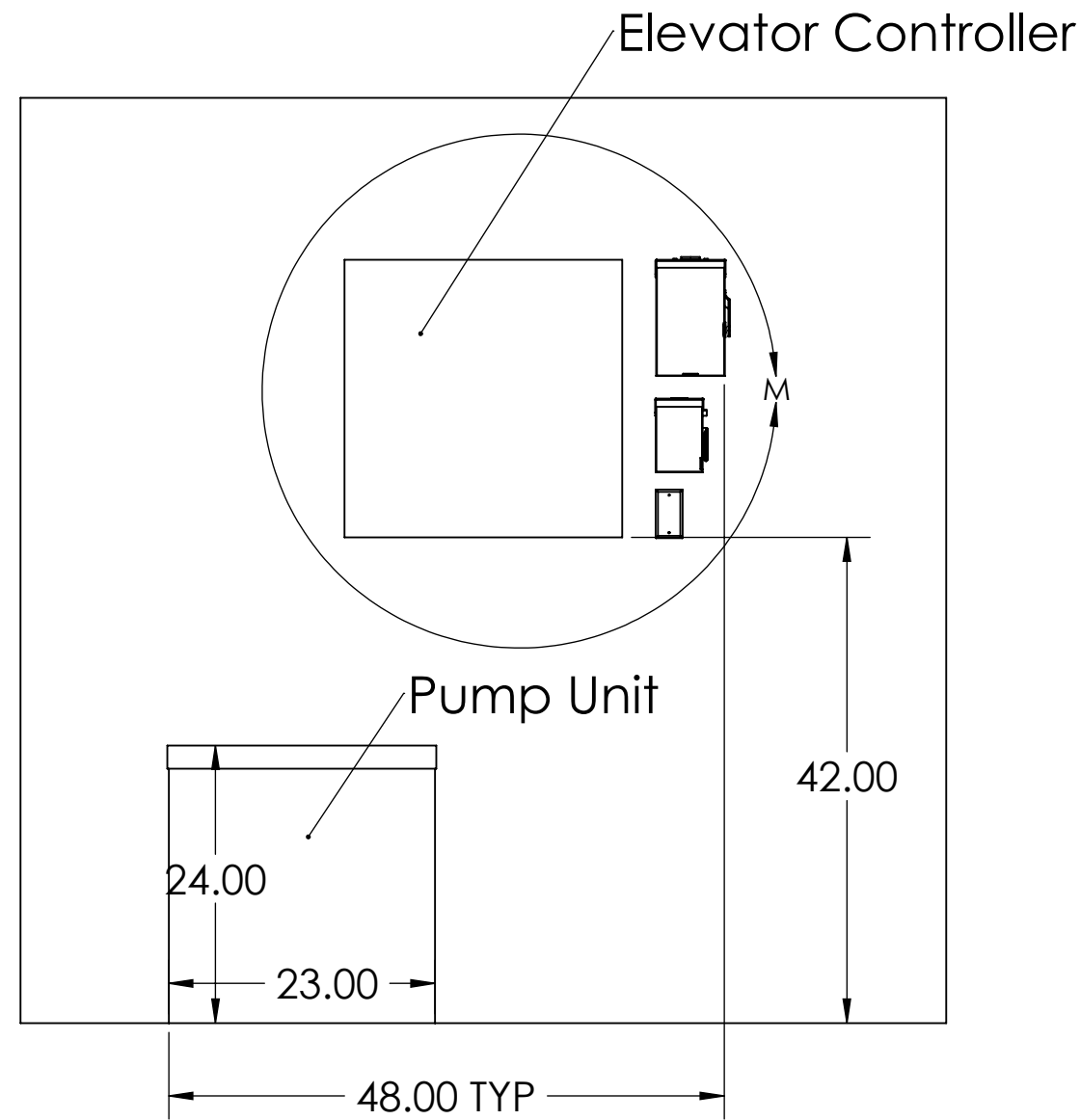


Project Name TYP OVERHEAD WINDING DRUM CONTROLLER LAYOUT	
Project Location	
Created By KSB	Order #
Created On 5/14/2024	By signing below, you authorizing this job to be released for production as listed
DO NOT SCALE DRAWING	Approved for Production
PROPRIETARY AND CONFIDENTIAL	
THE INFORMATION CONTAINED IN THIS DRAWING IS THE SOLE PROPERTY OF SOUTHEAST ELEVATOR INC. ANY REPRODUCTION IN PART OR AS A WHOLE WITHOUT THE WRITTEN PERMISSION OF SOUTHEAST ELEVATOR INC IS PROHIBITED.	
DATE	SHEET 3 OF 9



- CODE: ASME A17.1 - 2019 (Section 5.3) / FBC - 2023
- All swing doors must comply with ASME 17.1, National Elevator Code and FBC 3/4x4 rule.
- Consult factory for changes to door swing or offset location.⁴
- See Rail Bracket Detail sheet for anchoring and support details.
- See Electrical Requirement sheet for electrical requirements.

TYP HYDRAULIC EQUIPMENT ROOM LAYOUT



Project Name		TYP HYDRO EQUIPMENT ROOM LAYOUT	
Project Location			
Created By	KSB	Order #	
Created On	5/14/2024	By signing below, you authorizing this job to be released for production as listed	
DO NOT SCALE DRAWING			
PROPRIETARY AND CONFIDENTIAL			
THE INFORMATION CONTAINED IN THIS DRAWING IS THE SOLE PROPERTY OF SOUTHEAST ELEVATOR INC. ANY REPRODUCTION IN PART OR AS A WHOLE WITHOUT THE WRITTEN PERMISSION OF SOUTHEAST ELEVATOR INC IS PROHIBITED.			Approved for Production
DATE			SHEET 4 OF 9



- CODE: ASME A17.1 - 2019 (Section 5.3) / FBC - 2023
- All swing doors must comply with ASME 17.1, National Elevator Code and FBC 3/4x4 rule.
- Consult factory for changes to door swing or offset location.⁴
- See Rail Bracket Detail sheet for anchoring and support details.
- See Electrical Requirement sheet for electrical requirements.