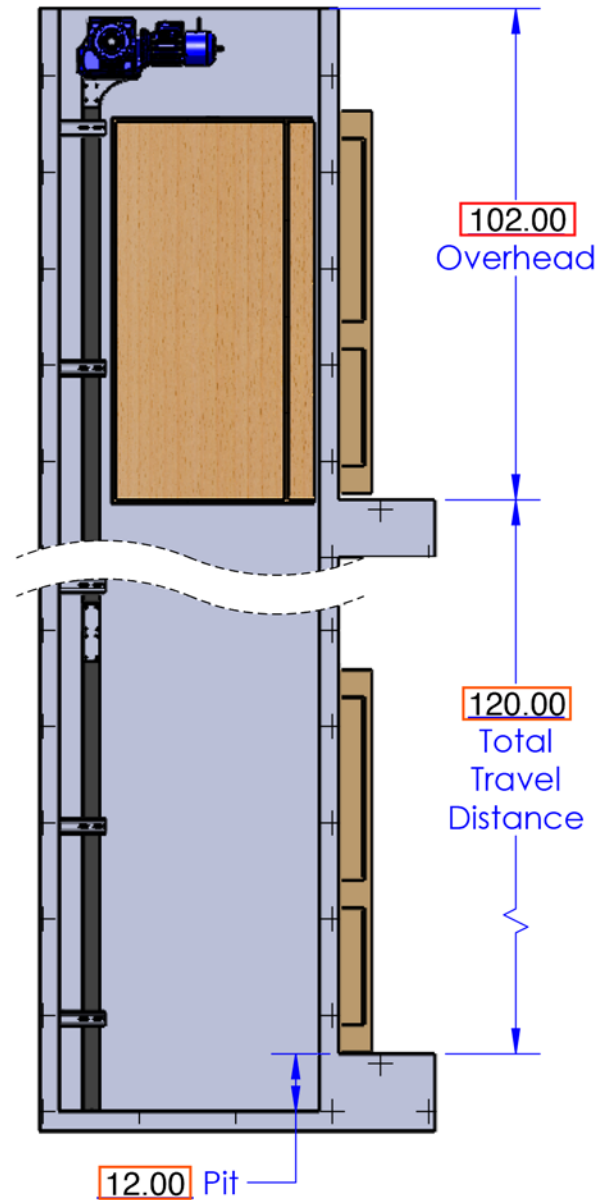
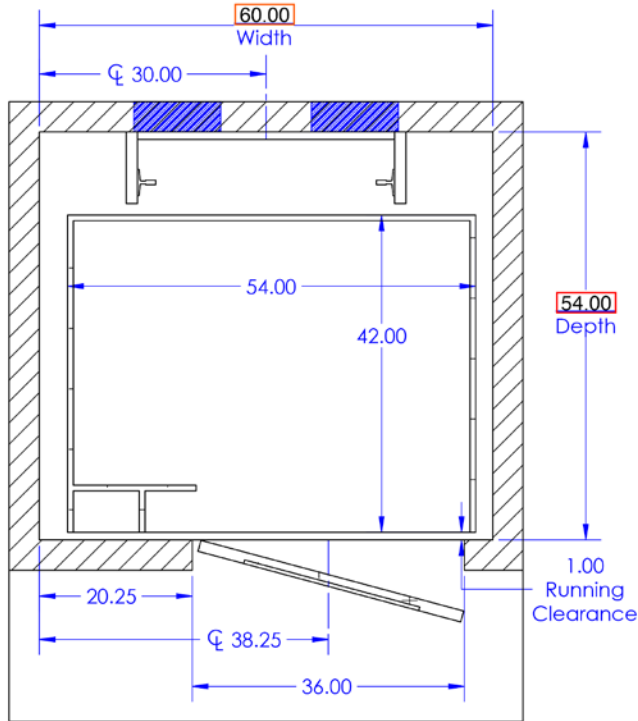


Winding Drum 5442L Specs



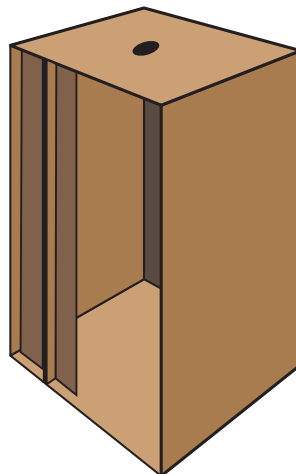
Standard 5442L Package Specs

- Rails stack on rear side of elevator shaft
- 54" wide x 42" deep platform size, 96" height
- 1" Finished floor allowance, 3/4" plywood sub-floor
- Stainless steel platform
- Single LED cab light, automatic on/off
- Brushed stainless steel fixtures
- Integrated emergency phone
- Standard paint grade unfinished walls
- Clear panel, silver accordion gate
- Honeywell door interlocks
- Swing doors and jambs by others
- Battery lowering with emergency lighting

Available Options

- Four LED lights
- Automatic gate opener
- Clear accordion gate

Number of landings: 2
 Door swings: 0 LH, 0 RH
 Cab height: 96"
 Cab finish: Unfinished wood
 Cab style: Standard flat wall



Elevator Shaft Requirements

Pit: 12"
 Width: 60" max.
 Depth: 54" min., 60" max.

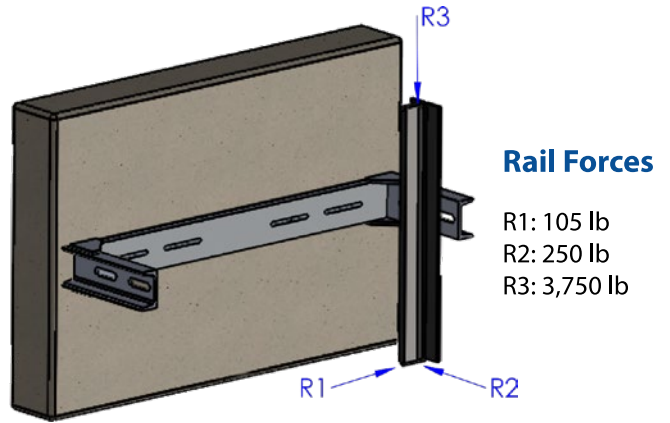
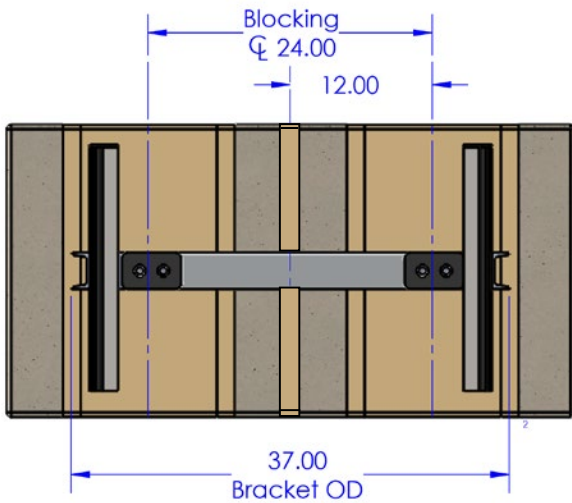
Minimum Overhead Clearance

Cab	Overhead
82"	106"
96"	120"

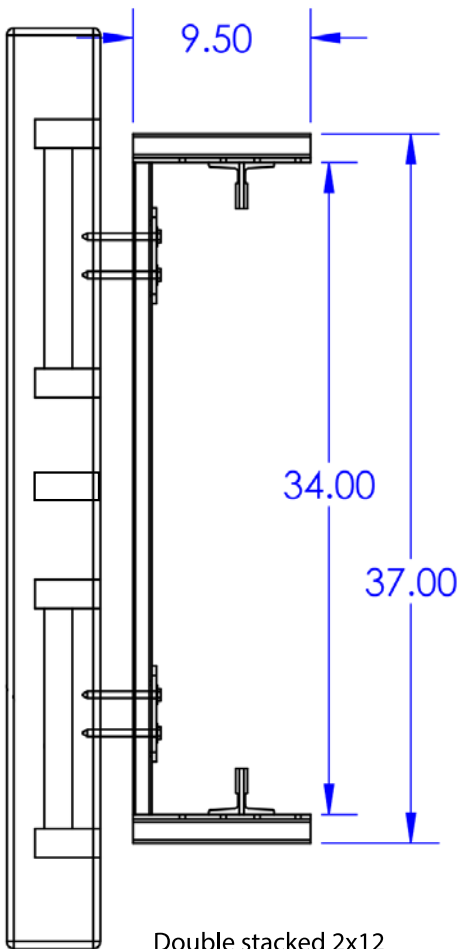
PROPRIETARY AND CONFIDENTIAL
 The information contained in this drawing is the sole property of Southeast Elevator. Any reproduction in part or as a whole without the written permission of Southeast Elevator is prohibited.



Winding Drum 5442L Rail Bracket



Attach via 3/8" x 4" lag bolts for wood or 3/8" x 5" wedge anchor for concrete



Double stacked 2x12 with 2x4 end caps running the full vertical length of the rail support wall

WINDING DRUM Specifications

MODEL	WD-9500
CAPACITY	950 LB
SPEED	40 FPM (Nominal)
DRIVE	3 HP Gear motor with brake, 220VAC, Winding drum
SAFETIES	Instantaneous type "A" slack cable
DOOR LOCKS	Electromechanical, Honeywell Relialign Interlocks
ELECTRICAL REQUIREMENTS	110VAC 15AMP Dedicated circuit fed through disconnect 220VAC 30AMP Dedicated circuit fed through disconnect
CONTROL SYSTEM	PLC controller, VFD motor control, optical sensor landing system

General Notes

Manufactured in compliance with ASME A17.1.5.3 National Safety Code For Elevators and Escalators and NEC

Work by Others

Plumb, square and legal hoistway built to match shop drawings with adequate support and door opening in line.
220vac, 30 amp dedicated circuit fed through lockable fusible disconnect
120vac, 15 amp dedicated circuit fed through lockable fusible disconnect (disconnects must be adjacent to elevator controller location)
Dedicated phone line located adjacent to elevator controller

PROPRIETARY AND CONFIDENTIAL

The information contained in this drawing is the sole property of Southeast Elevator. Any reproduction in part or as a whole without the written permission of Southeast Elevator is prohibited.



772-461-0030 | seelevator.com