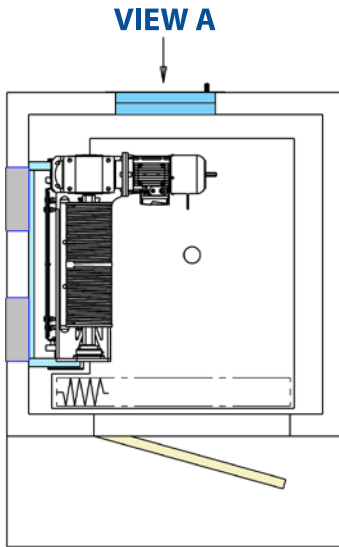
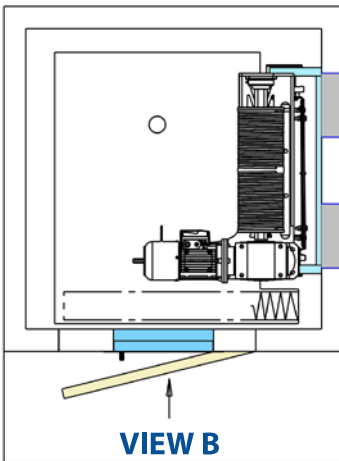


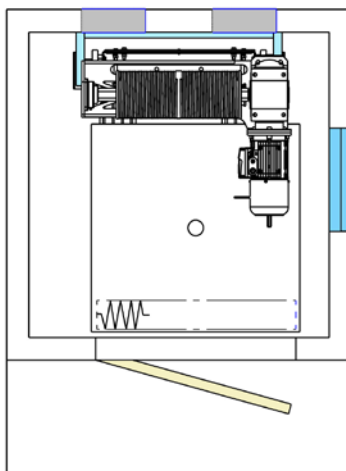
# Winding Drum - Machine Access Panel



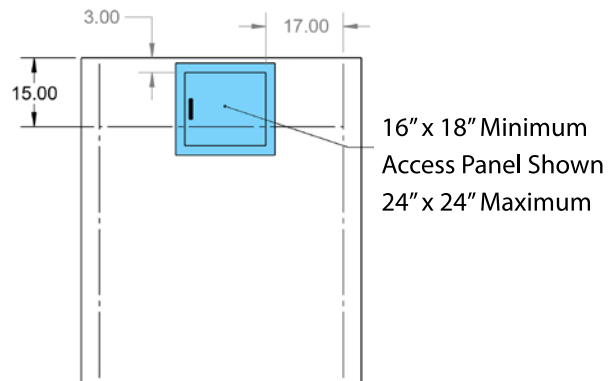
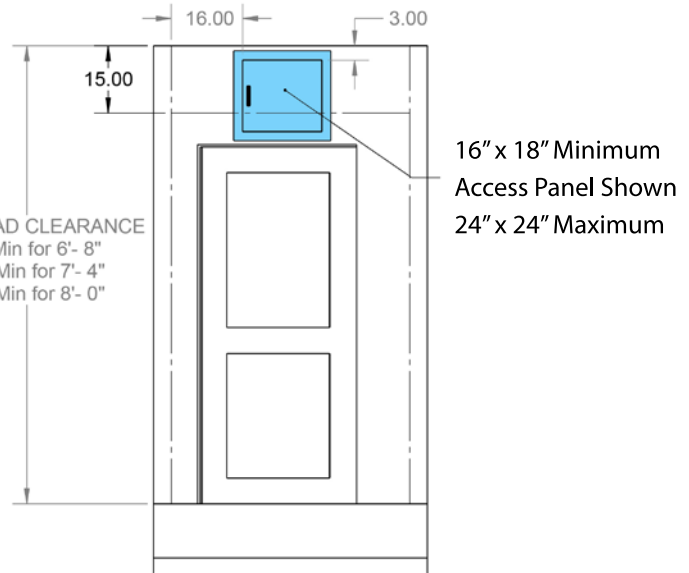
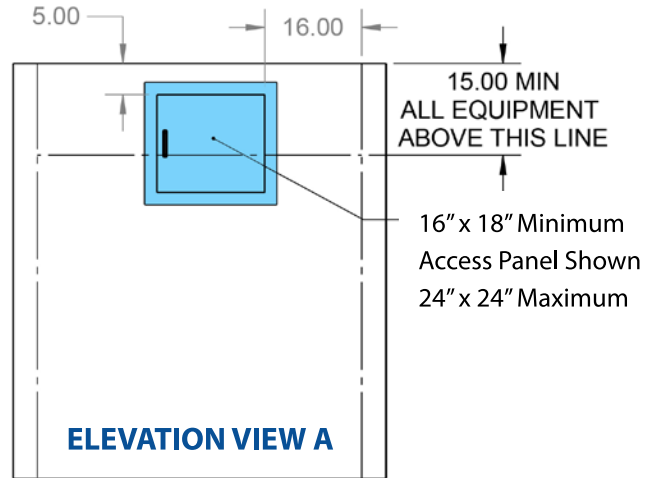
LH Rails / Rear Motor Shown



RH Rails / Front Motor Shown



Rear Rails / RH Motor Shown



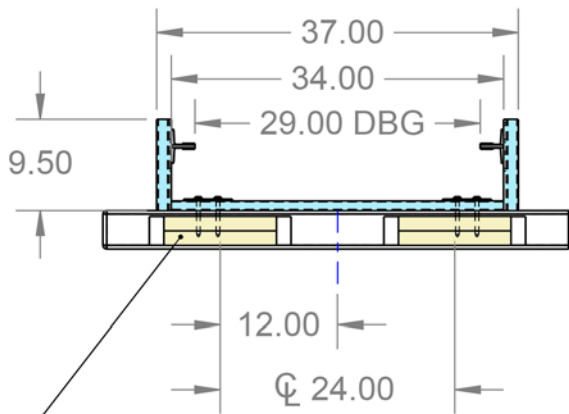
PROPRIETARY AND CONFIDENTIAL  
 The information contained in this drawing is the sole property of Southeast Elevator. Any reproduction in part or as a whole without the written permission of Southeast Elevator is prohibited.



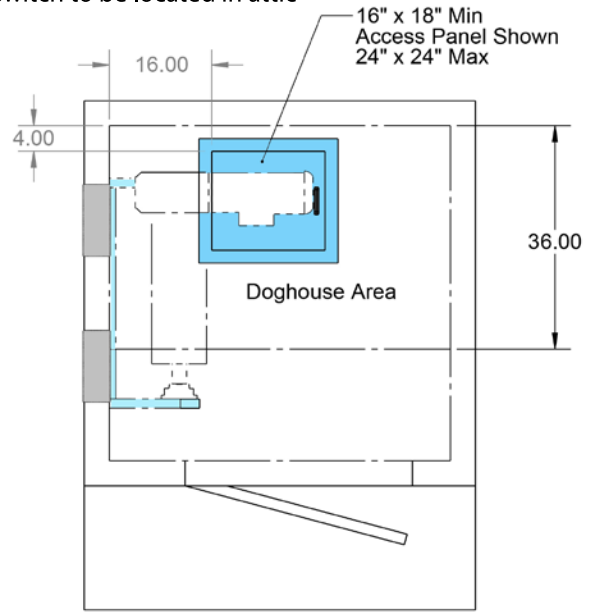
# Winding Drum - Machine Access Panel

**ATTIC ACCESS DOOR** Self locking and closing — by General Contractor

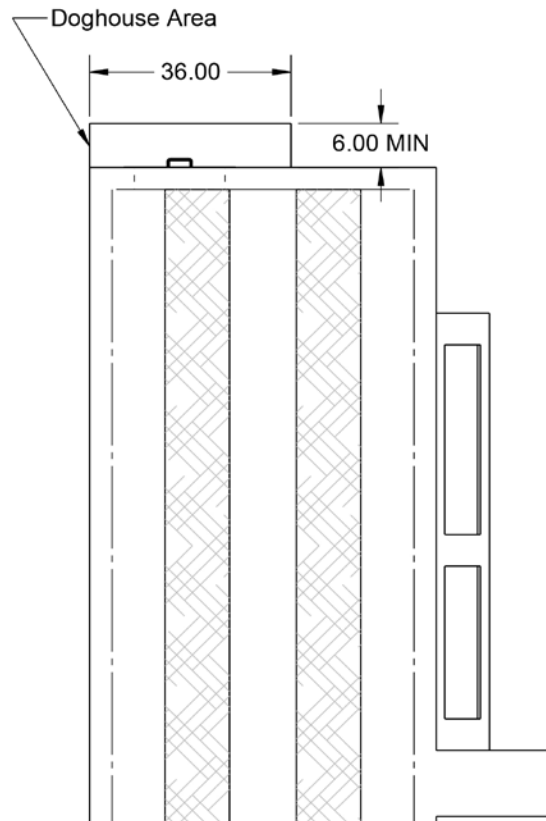
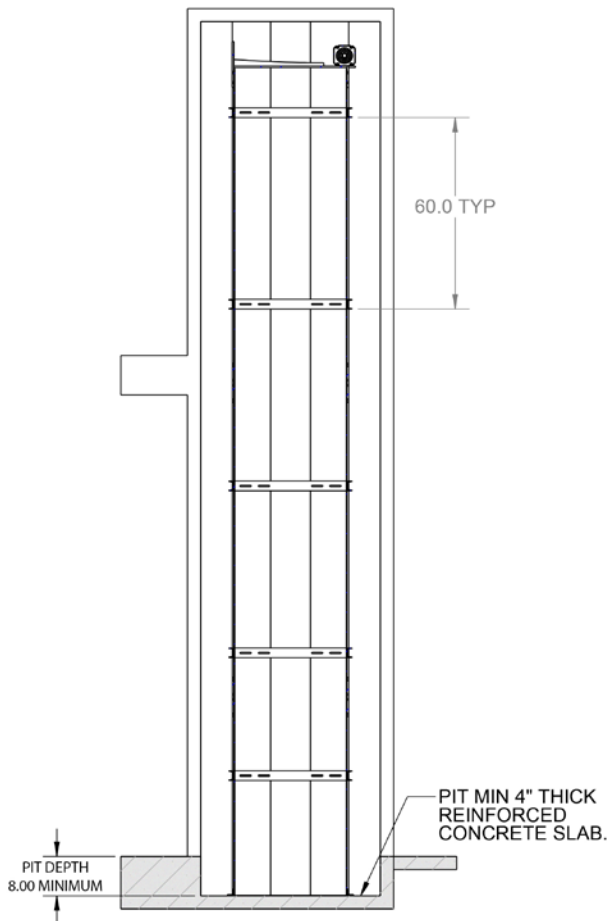
**NOTE:** If access door is located in the ceiling or the shaft, then the controller, electric boxes, GFI, VWF drive, UPS and light switch to be located in attic



Double stacked 2x12s recommended with 2x4 end caps running the full vertical length of the hoistway.  
(Solid poured or solid back filled block wall optional)



LH Rails / Rear Motor Attic Shown



PROPRIETARY AND CONFIDENTIAL

The information contained in this drawing is the sole property of Southeast Elevator. Any reproduction in part or as a whole without the written permission of Southeast Elevator is prohibited.

