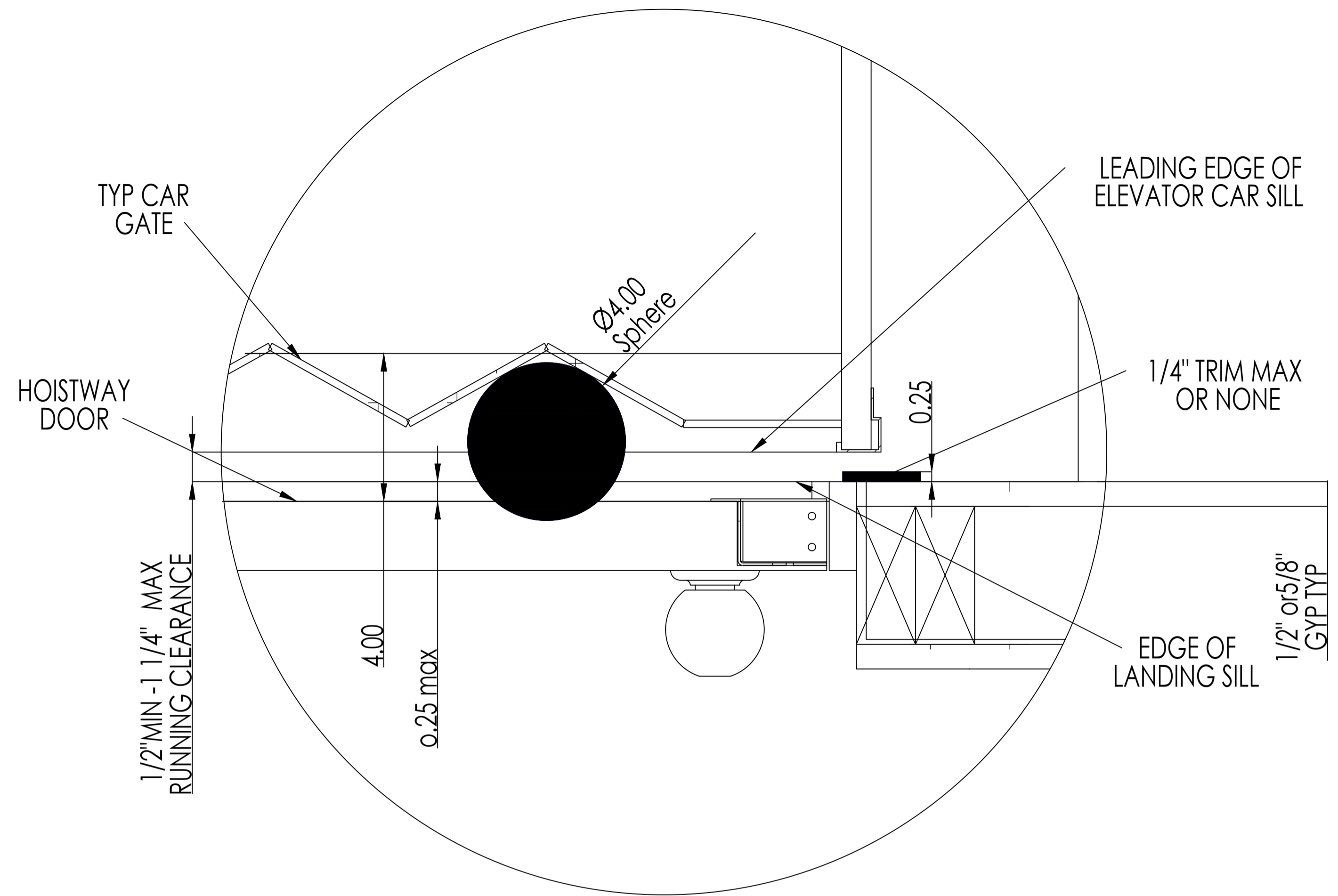
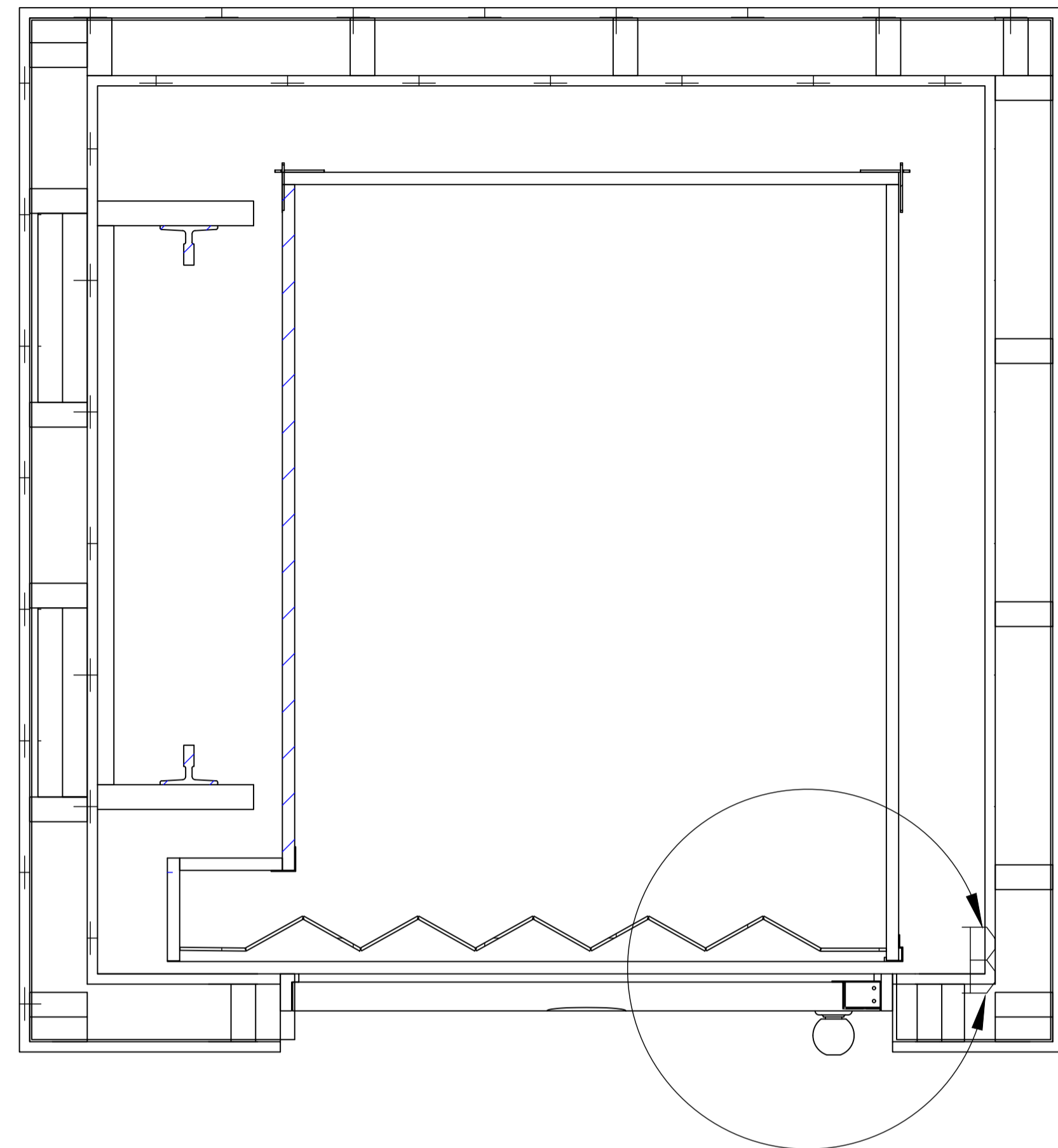


TYPICAL ELEVATOR HOISTWAY



A17.1 National Safety Code for Elevators - Section 5 - 2016 Edition

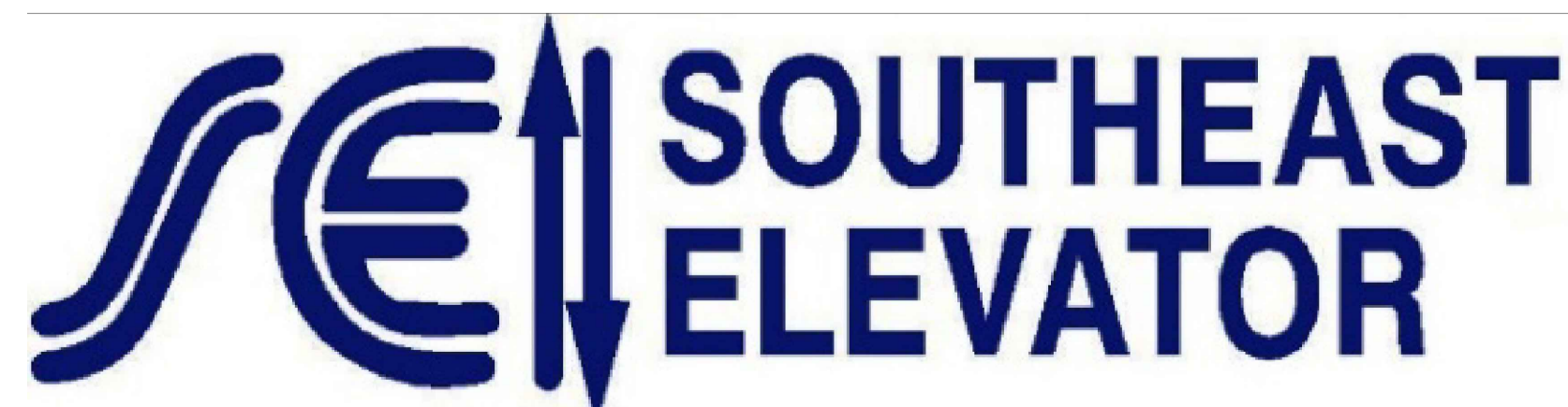
5.3.1.8.3 Clearances between hoistway doors and car door or gates must not exceed 4".

5.3.1.7.2 The distance between the hoistway door and the edge of the landing sill must not exceed 3/4".

Florida Building Code 2020

R321.4 Clearance requirements between elevator doors for elevators inside private residence.

(a) The distance between the hoistway face of the the hoistway door and the hoistway edge of the landing sill may not exceed 3/4 inch for swinging doors and 2 1/4 inches for sliding doors.



- All swing doors must comply with ASME 17.1, National Elevator Code and FBC, 3 x 5 rule or 3/4" x 4" as required by local jurisdiction.
- Consult factory for changes to door swing or offset location.
- See Rail Bracket Detail sheet for anchoring and support details.
- See Electrical Requirement sheet for electrical requirements

PROJECT NAME	
PROJECT LOC	
DRAWING NOT TO SCALE	NAME
	Filled By
PROPRIETARY AND CONFIDENTIAL	By signing below, you are authorizing this job to be released for production as listed
	Release for production/Approval
DATE	Page 4

THE INFORMATION CONTAINED IN THIS DRAWING IS THE SOLE PROPERTY OF SOUTHEAST ELEVATOR INC. ANY REPRODUCTION IN PART OR AS A WHOLE WITHOUT THE WRITTEN PERMISSION OF SOUTHEAST ELEVATORS INDUSTRIES, LLC IS PROHIBITED.