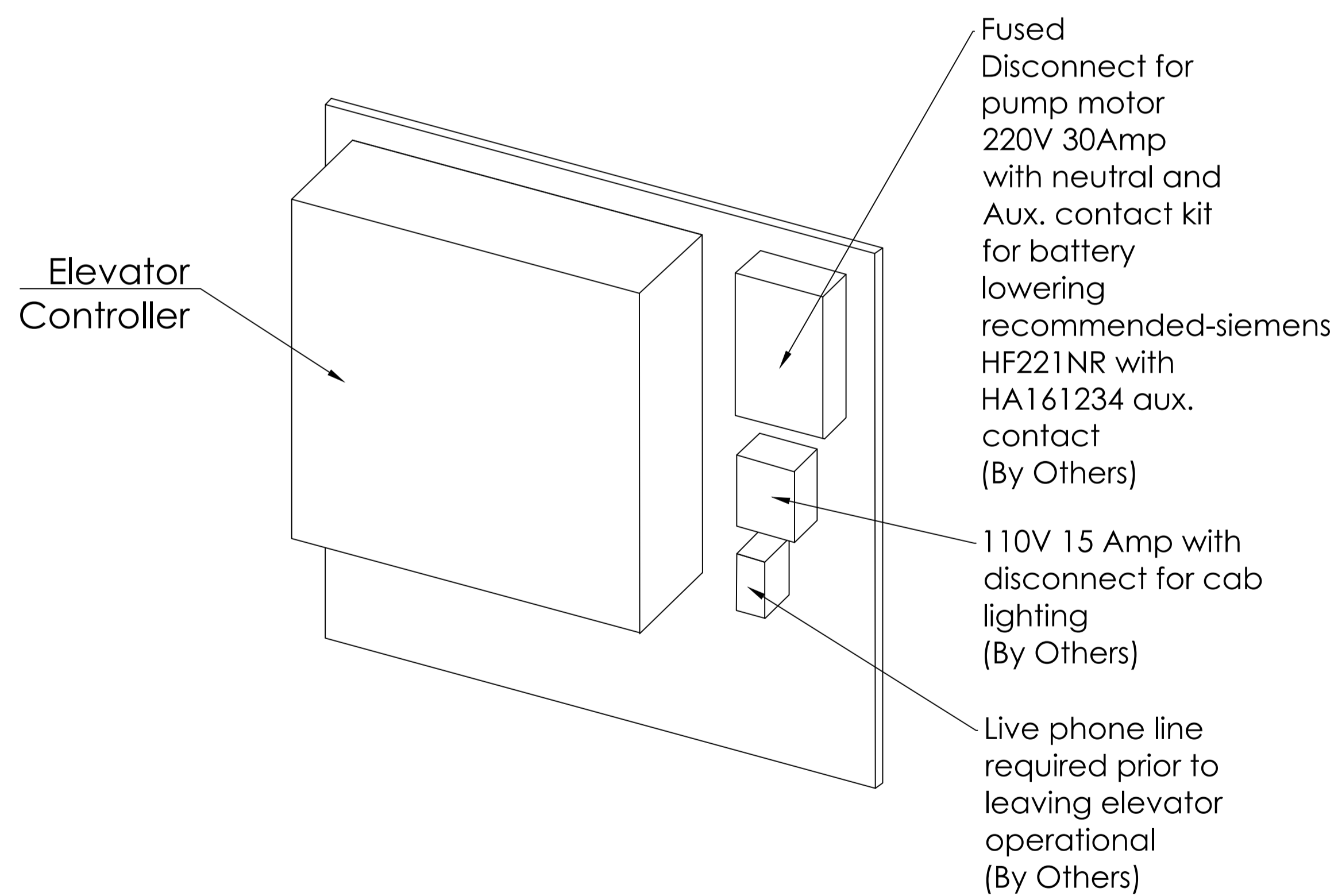
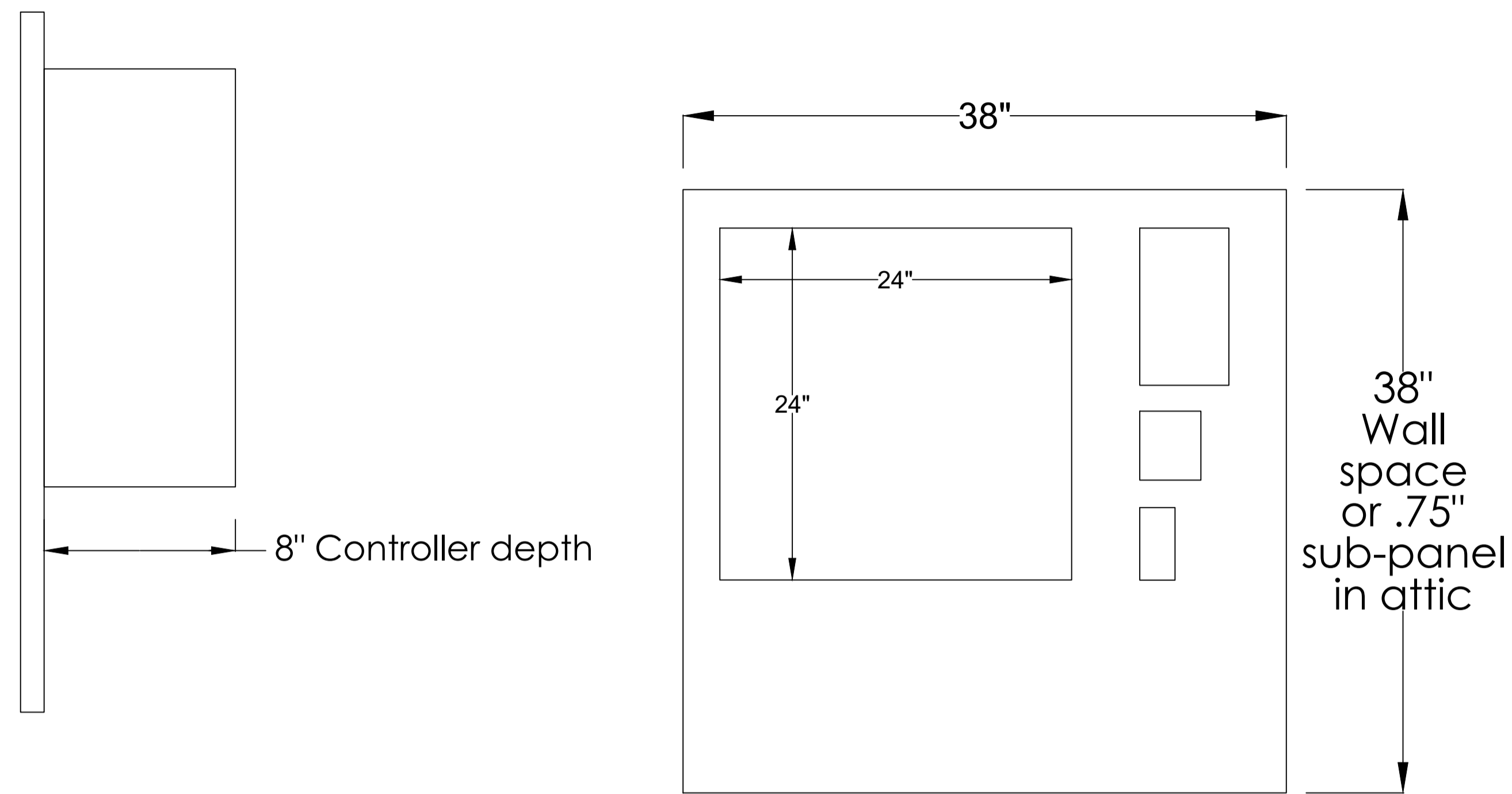
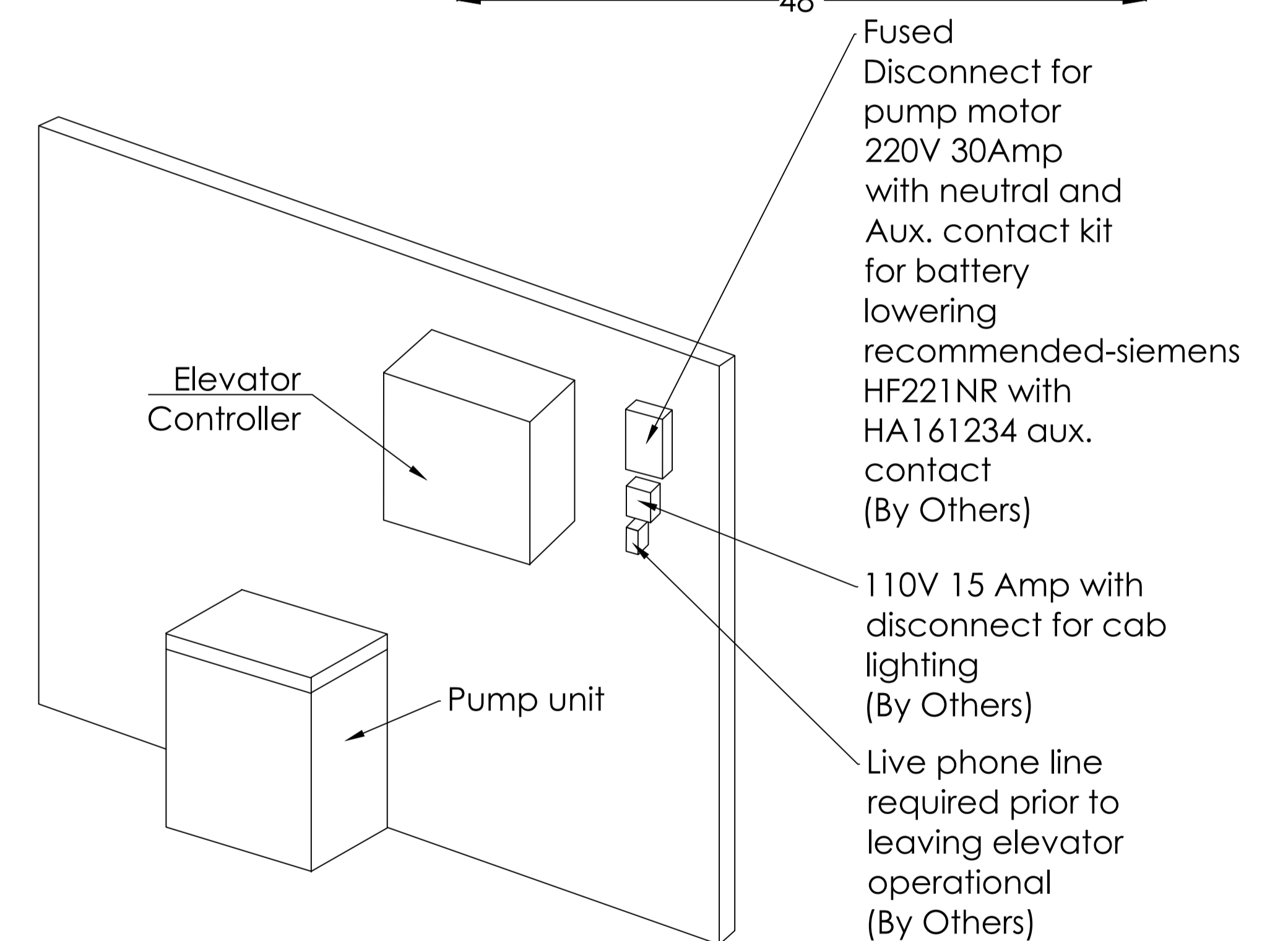
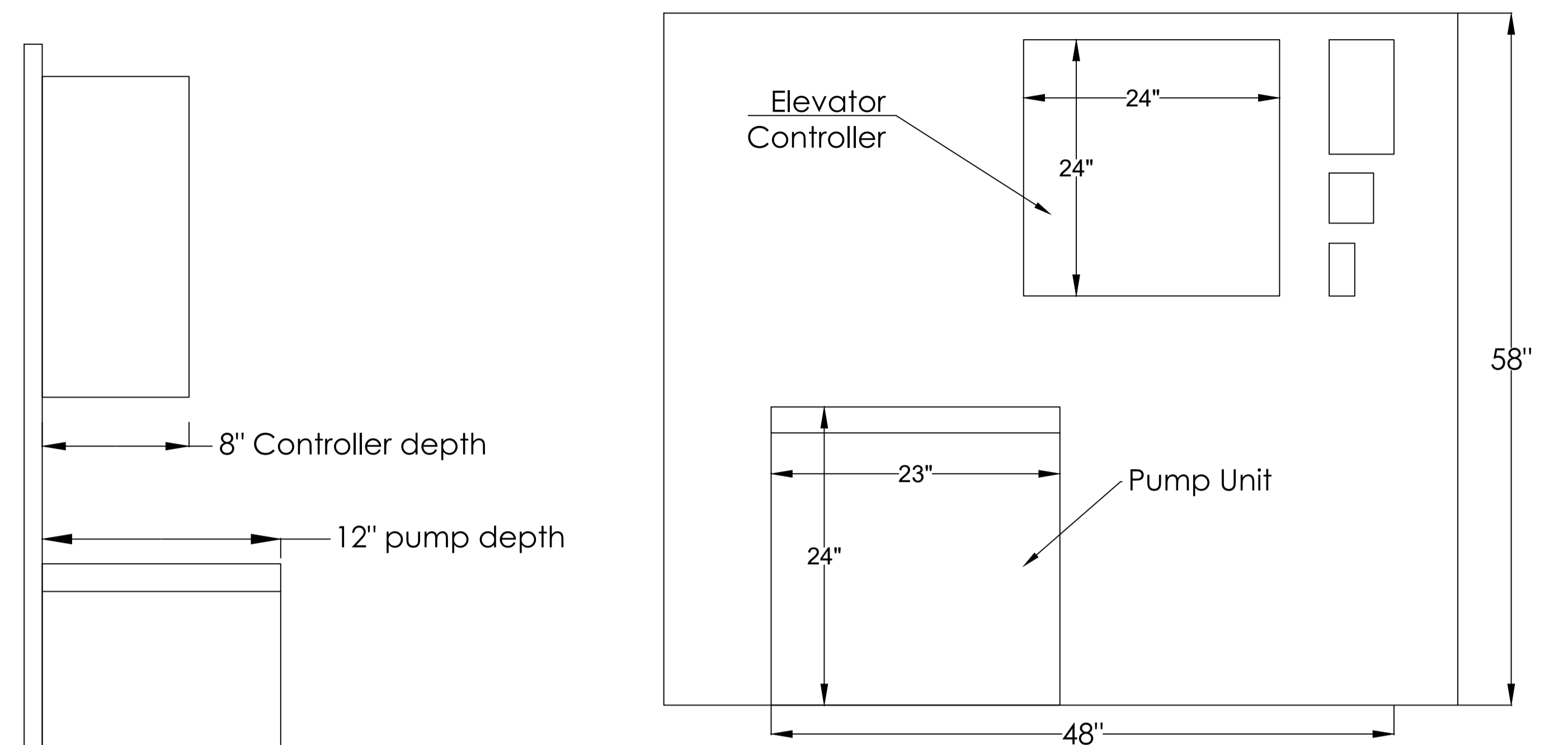


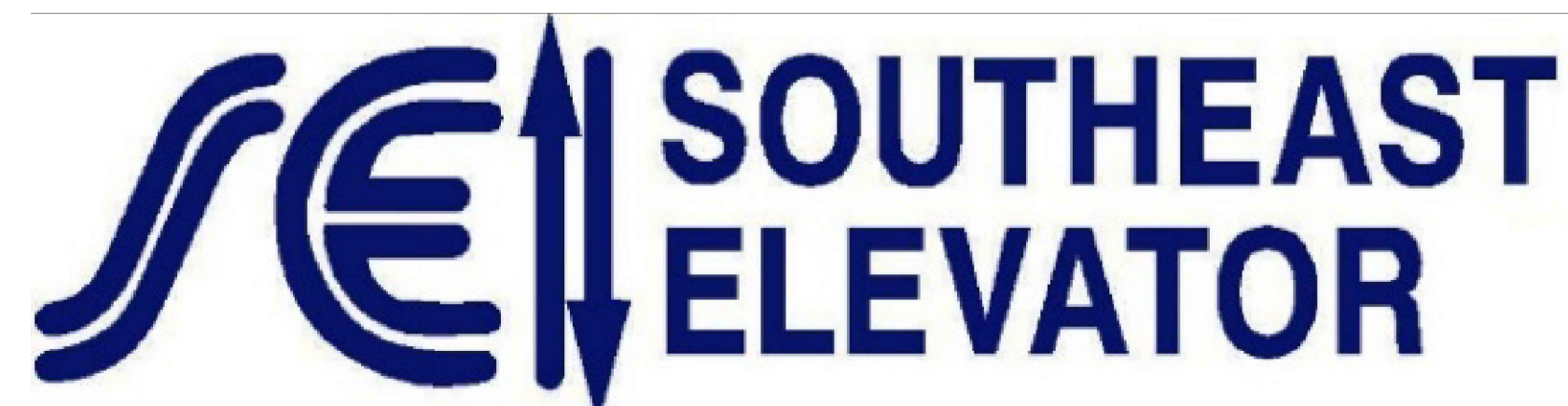
Overhead Drum Equipment



Hydraulic Equipment



PROJECT NAME	
PROJECT LOC	
DRAWING NOT TO SCALE	NAME
	Filled By
PROPRIETARY AND CONFIDENTIAL THE INFORMATION CONTAINED IN THIS DRAWING IS THE SOLE PROPERTY OF SOUTHEAST ELEVATOR INC. ANY REPRODUCTION IN PART OR AS A WHOLE WITHOUT THE WRITTEN PERMISSION OF SOUTHEAST ELEVATORS INDUSTRIES, LLC IS PROHIBITED.	By signing below, you are authorizing this job to be released for production as listed
	Release for production/Approval
DATE	Page 2



- All swing doors must comply with ASME 17.1, National Elevator Code and FBC, 3/4" x 4" as required by local jurisdiction.
- Consult factory for changes to door swing or offset location.
- See Rail Bracket Detail sheet for anchoring and support details.