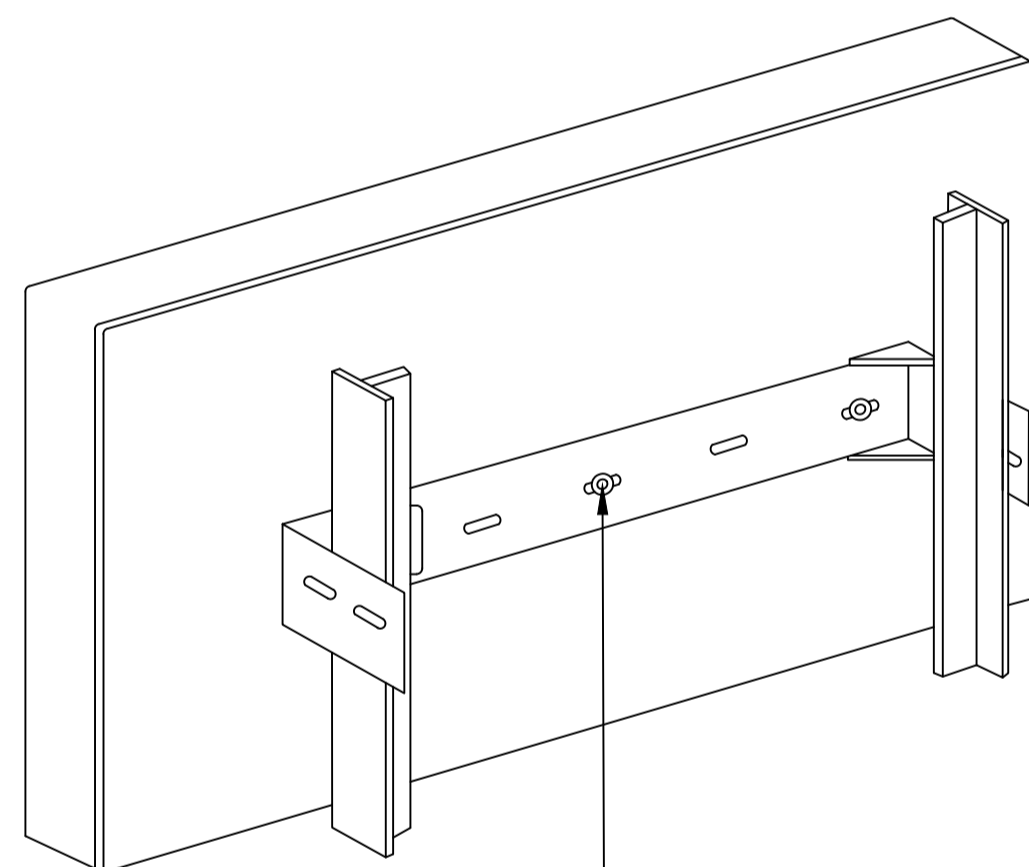
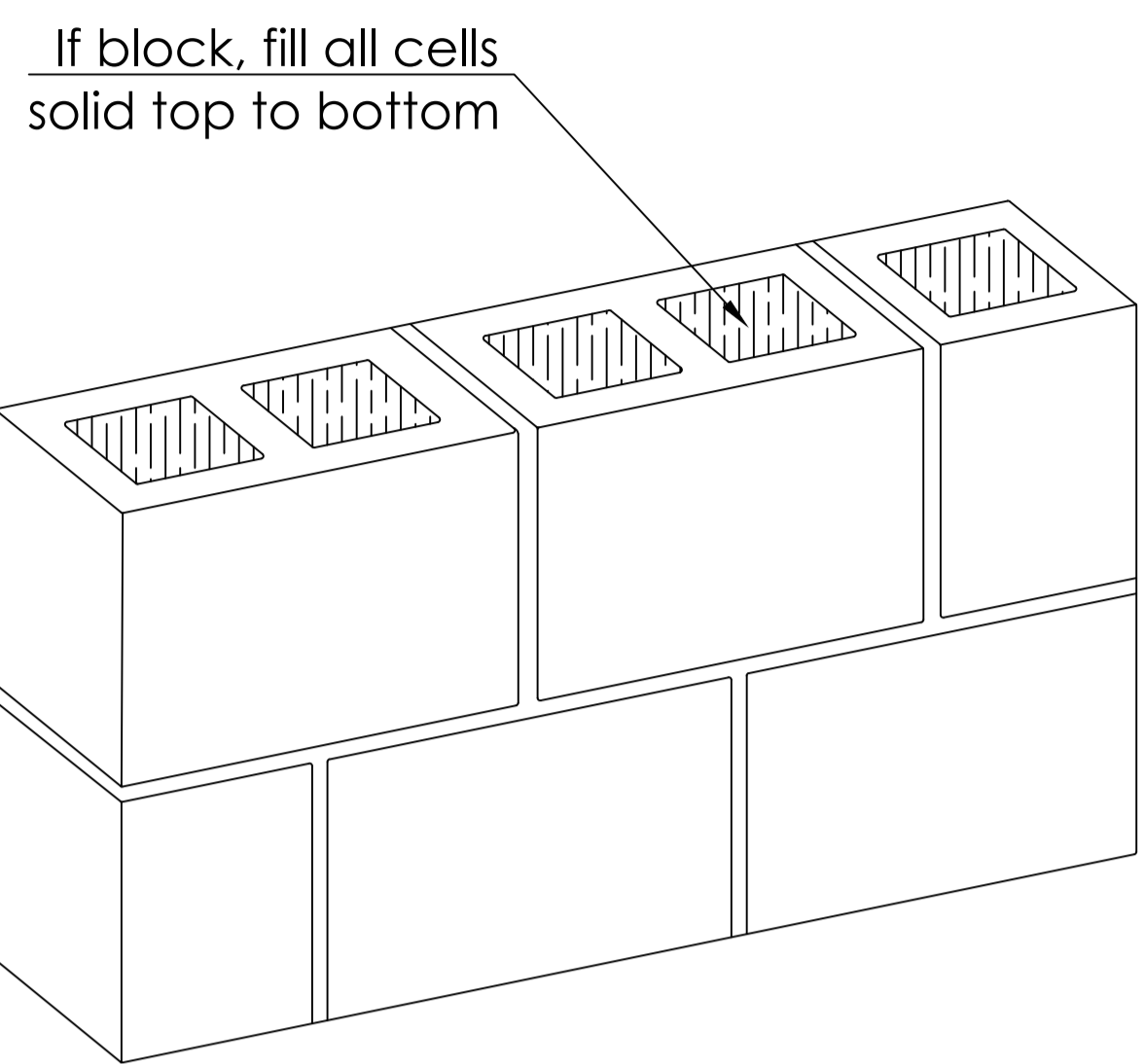
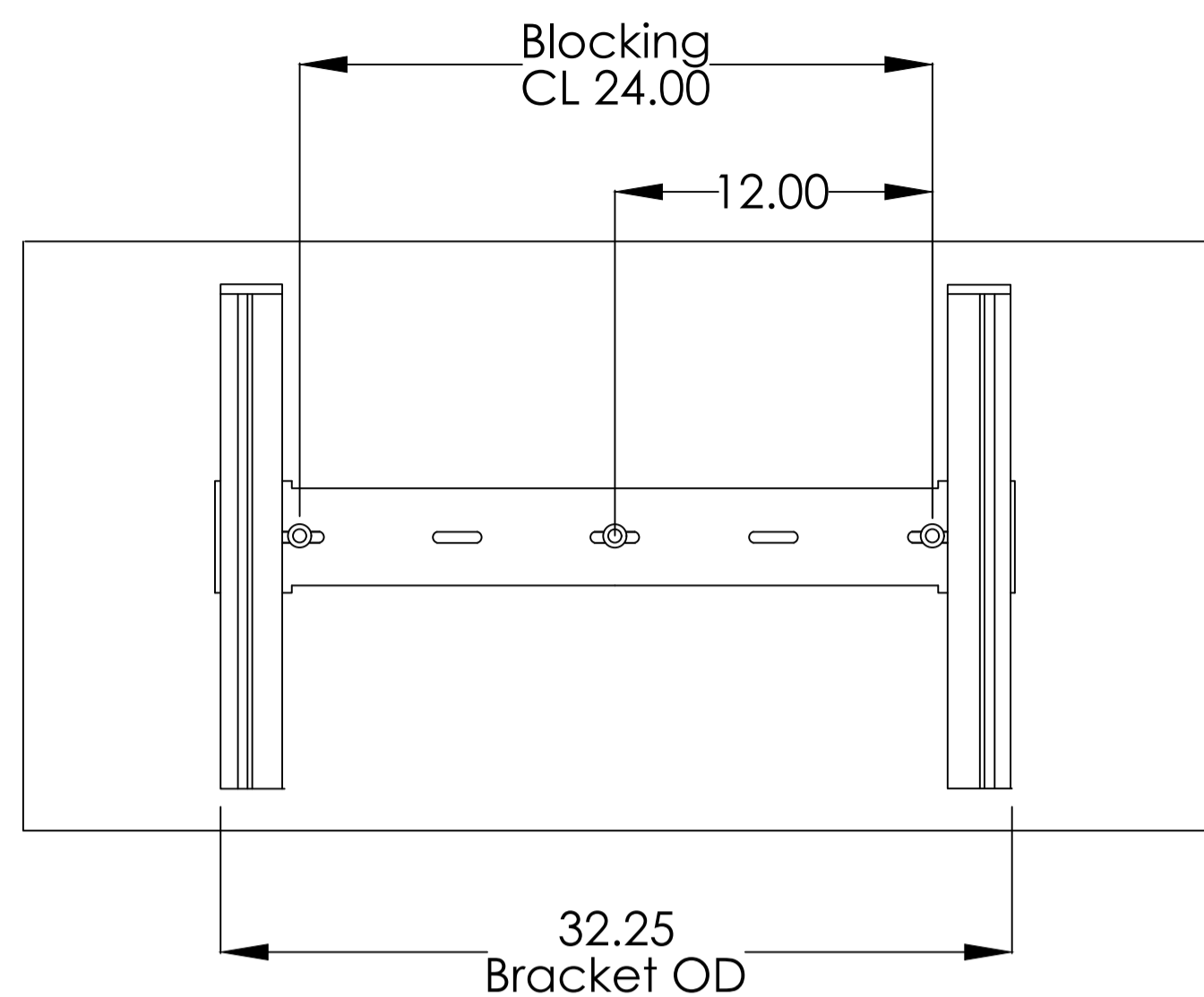
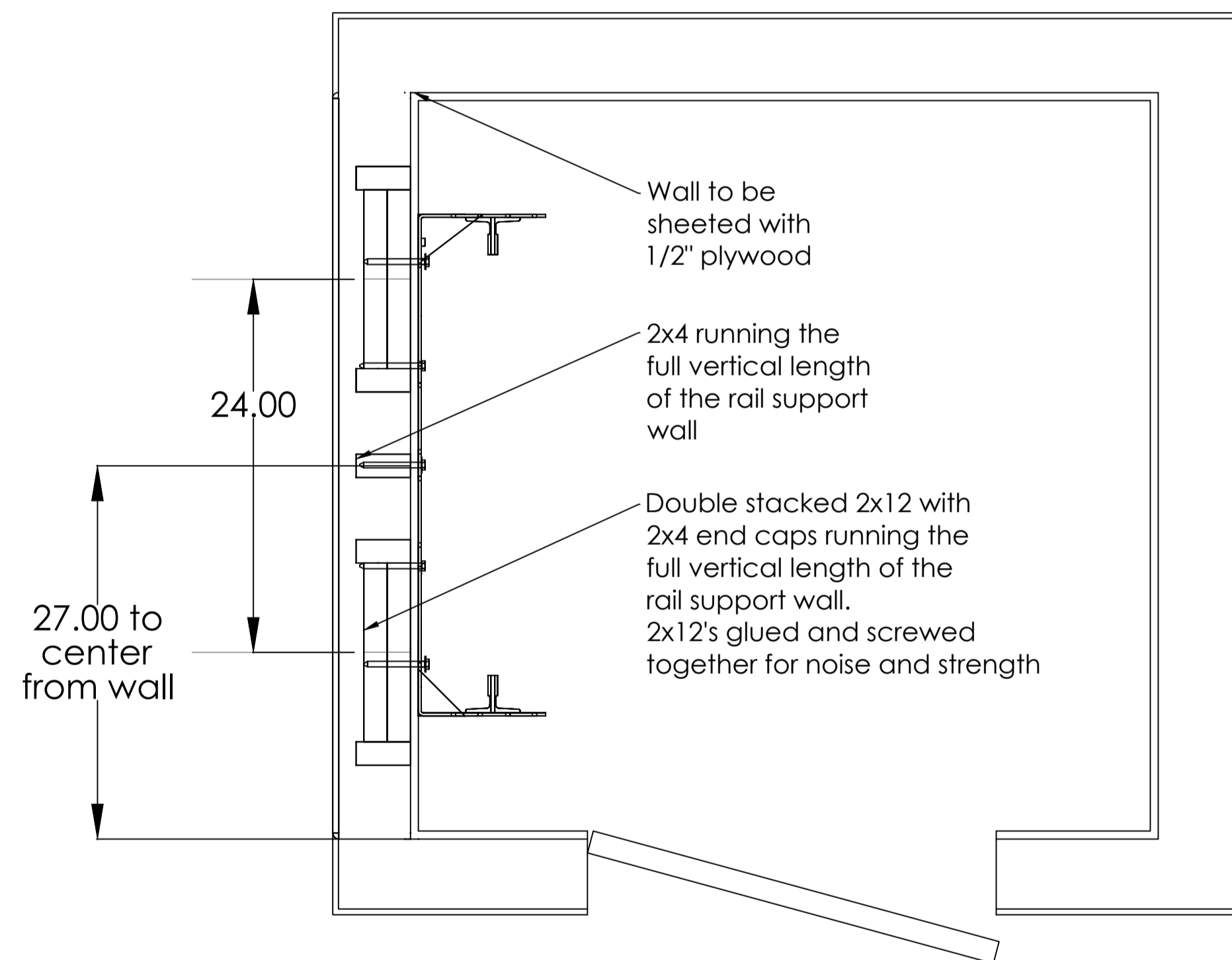


Rail Bracket Detail Sheet



ATTACH VIA 1/2x3 1/4 LAG BOLTS FOR WOOD OR 1/2x3 1/2 WEDGE ANCHOR FOR CONCRETE



WORK BY OTHERS

- 1) PLUMB AND SQUARE HOISTWAY BUILT TO LOCAL AND STATE CODE REQUIREMENTS
- 2) SLEEVES/CONDUITS FOR HYDRAULIC HOSES AND ELECTRICAL FROM EQUIPMENT TO HOISTWAY
- 3) REMOVABLE BARRICADES ON HOISTWAY OPENINGS
- 4) ALL DIMENSION TOLERANCES TO BE WITHIN 1/4"
- 5) EQUIPMENT ROOM WITH 220V AND 110V CIRCUITS WITH NEATRAL AND DISCONNECTS SUPPLIED TO CONTROLLER
- 6) TELEPHONE LINE
- 7) STRUCTURAL NOTE: DRAWINGS SIGNED AND SEALED FOR WALL ANCHORAGE, ANCHORAGE DESIGNED FOR MANUFACTURES GIVEN LOADS

GENERAL NOTES

MANUFACTURED IN COMPLIANCE WITH ASME A17.1.5.3, 2016 NATIONAL SAFETY CODE AND ESCALATORS AND NEC AND FBC RESIDENTIAL 2020



- All swing doors must comply with ASME 17.1, National Elevator Code and FBC, 3 x 5 rule or 3/4" x 4" as required by local jurisdiction.
- Consult factory for changes to door swing or offset location.
- See Electrical Requirement sheet for electrical requirements

PROJECT NAME	
PROJECT LOC	
DRAWING NOT TO SCALE	NAME
	Filled By
PROPRIETARY AND CONFIDENTIAL THE INFORMATION CONTAINED IN THIS DRAWING IS THE SOLE PROPERTY OF SOUTHEAST ELEVATOR INC. ANY REPRODUCTION IN PART OR AS A WHOLE WITHOUT THE WRITTEN PERMISSION OF SOUTHEAST ELEVATORS INDUSTRIES, LLC IS PROHIBITED.	By signing below, you are authorizing this job to be released for production as listed
	Release for production/Approval
DATE	Page 3